



Climb to new heights.

spindle
catalogue





Climb to new heights.



What about us? We're all about you. As a client of Westcoast Moulding & Millwork Limited, you get the best of the West Coast in service, value, and quality home finishing selection—whether you're a single or multi family home builder, commercial developer, exporter, or home owner. A Canadian company, Westcoast Moulding is based in Surrey, British Columbia and has been a premier source of retail and wholesale moulding and millwork for more than twenty five years to satisfied clients like you, throughout British Columbia, Washington State and internationally.

We manufacture and distribute custom, stock and specialty moulding, millwork, stairs, railings, fittings, flooring and related components, as well as other interior and exterior finishing products. We can provide you with design and DIY assistance for mouldings, floors and stairs, as well as CAD drawings and resource materials. We also ship anywhere.

Step into our spacious, browser-friendly showroom today. See more home finishing options than you ever thought possible all in one place, and have a chat with our outside and inside representatives to see what we can do for you.



table of contents

product
catalogue

page 1	specialty glacé 105 & 130	page 18	vintage series - <i>models</i>
page 2	specialty glacé 145 - on site & <i>model</i>	page 19	deco acrylic series - on site
page 3	classic glacé one series - on site	page 20	deco acrylic series - <i>models</i>
page 4	classic glacé one series - <i>models</i>	page 21	deco wood series - on site
page 5	classic glacé two series - on site	page 22	deco wood series - <i>models</i>
page 6	classic glacé two series - <i>models</i>	page 23	split rod & ball series - on site
page 7	classic glacé three series - on site	page 24	split rod & ball series - <i>models</i>
page 8	classic glacé three series - <i>models</i>	page 25	spiral basket series - on site
page 9	classic glacé four series - on site	page 26	spiral basket series - <i>models</i>
page 10	classic glacé four series - <i>models</i>	page 27	artistic rod one series - on site
page 11	crystalline series - on site	page 28	artistic rod one series - <i>models</i>
page 12	crystalline series - <i>models</i>	page 29	artistic rod two series - on site
page 13	luminescent series - on site	page 30	artistic rod two series - <i>models</i>
page 14	luminescent series - <i>models</i>	page 31	chicane series - on site
page 15	moderno modé series - on site	page 32	chicane series - <i>models</i>
page 16	moderno modé series - <i>models</i>	page 33	custom spindles - on site & <i>models</i>
page 17	vintage series - on site	page 34	wooden posts
		page 35	spindle poles and accessories

* Should you have a particular idea or combination of models within the series listed above, please do not hesitate to inquire.

specialty glacé series ...



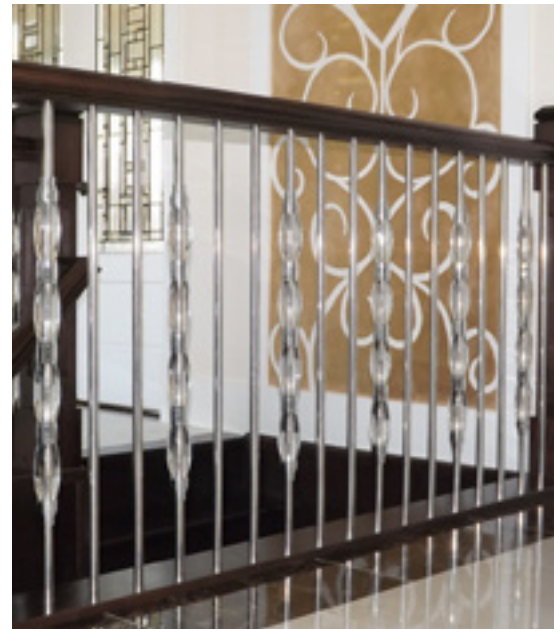
continued ...



model spl-105



model spl-130



specialty glacé series ...



model spl-145



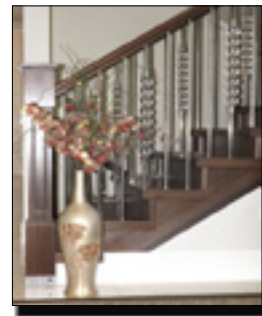
model spl-105



model spl-130

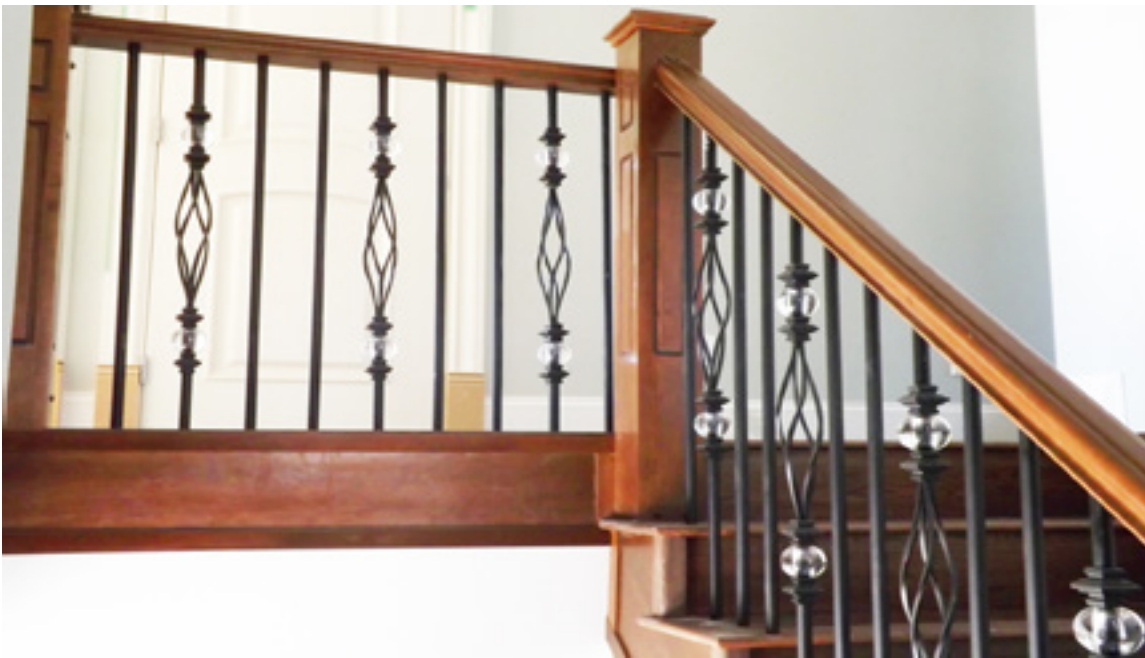


model spl-145



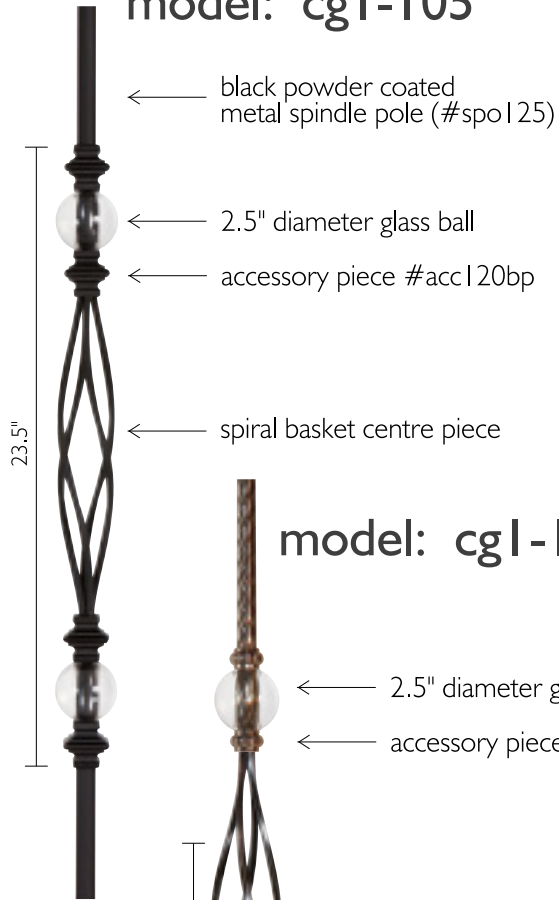
The specialty glacé series is quite simply the benchmark of class. These three specialty spindles were designed to make a statement ... elegance. Whether you prefer the globe design, the oval, or the vertical speckle ... your interior designer will thank you. Being made of high polished glass and finished in chrome like silver, these spindles go with any high-end decor.

classic glacé one series ...



This classic glacé series emendates a very strong feeling yet projects an image of the traditional French villa. Utilizing the glass ball with a variety of accessories and steel finishes allows you to create virtually any classy decor that revolves around your staircase. This elegant spindle truly makes a statement in any homes entrance.

model: cgl-105



model: cgl-110



model: cgl-115



model: cgl-120



model: cgl-125



*to review the various components utilized in creating these spindles please consult last page.

Climb to new heights.

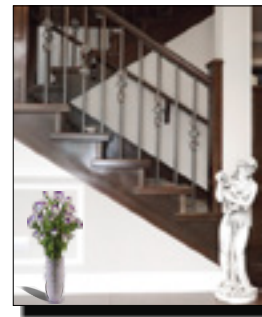
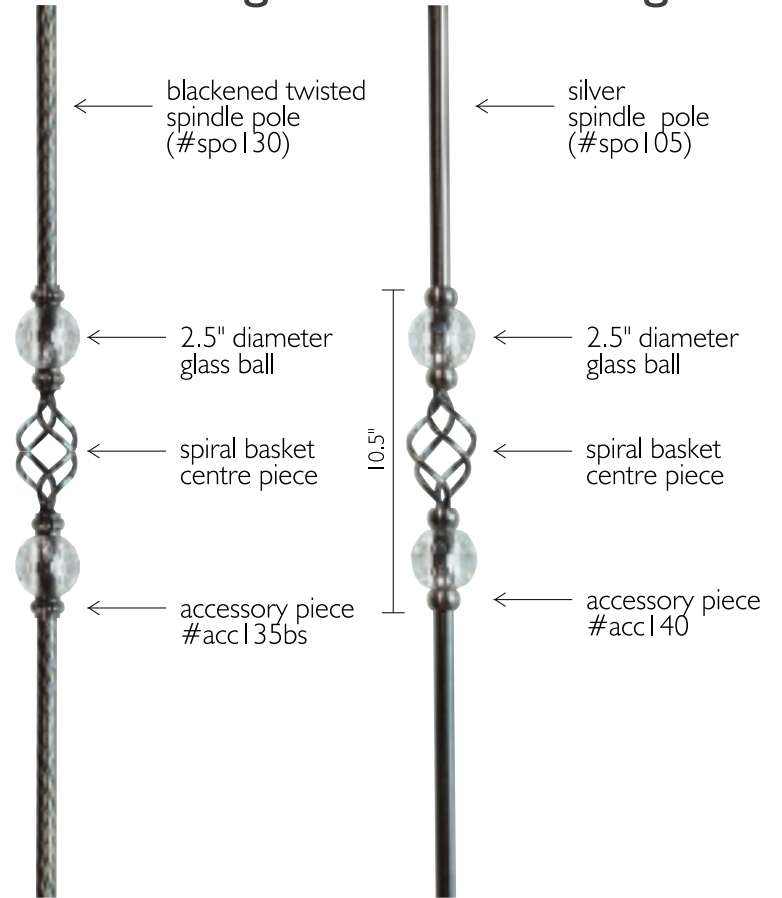


classic glacé two series ...



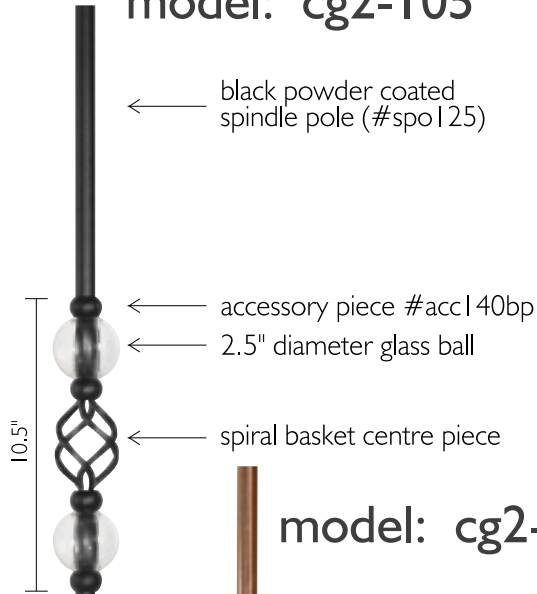
model: cg2-105

model: cg2-110

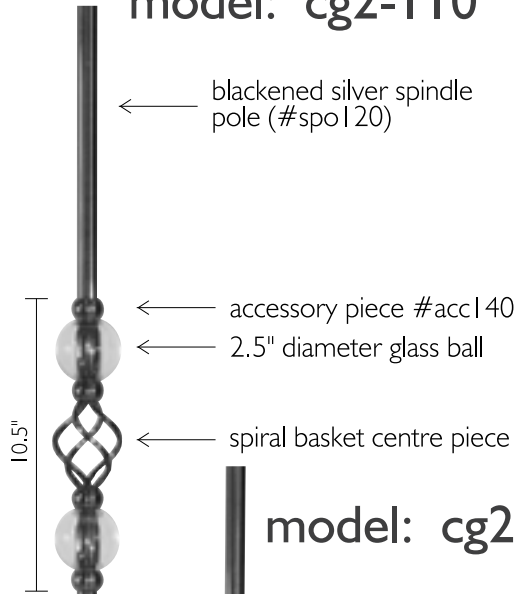


The classic glacé series emendates a very strong feeling yet projects an image of the modest French villa. Utilizing the glass ball with a variety of accessories and compact spiral basket allows you to create a classy decor that only whispers simplicity. This elegant spindle also makes a statement in any homes entrance.

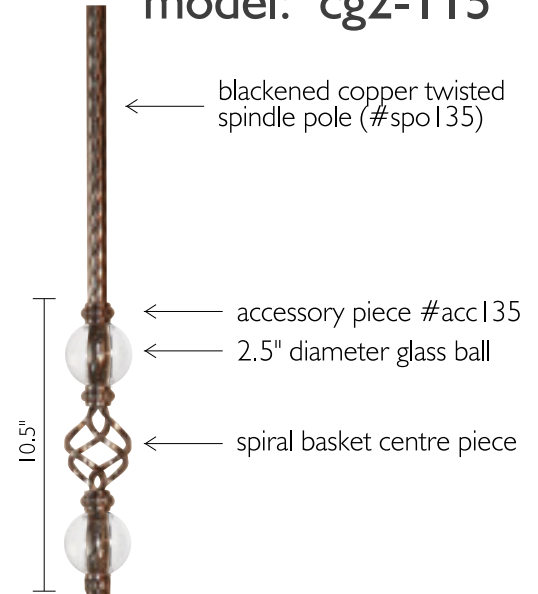
model: cg2-105



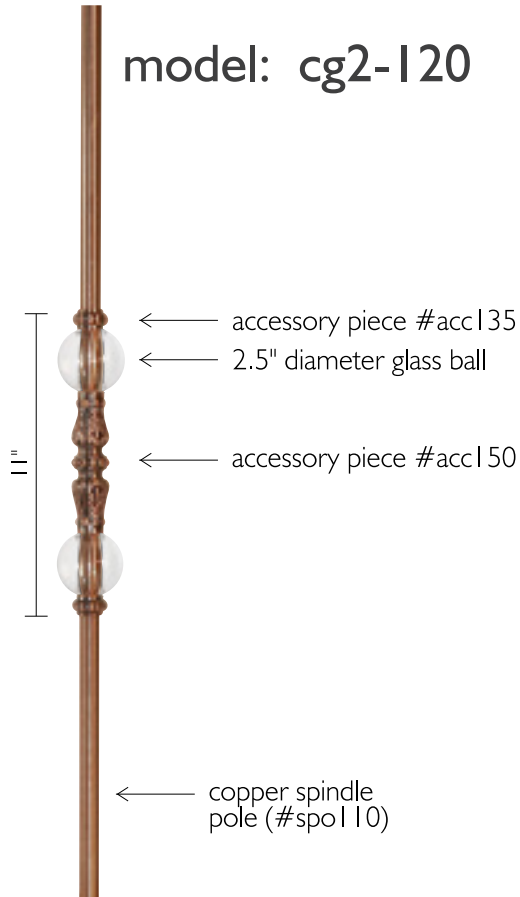
model: cg2-110



model: cg2-115



model: cg2-120



model: cg2-125

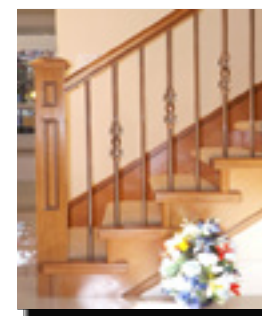


*to review the various components utilized in creating these spindles please consult last page.

Climb to new heights.

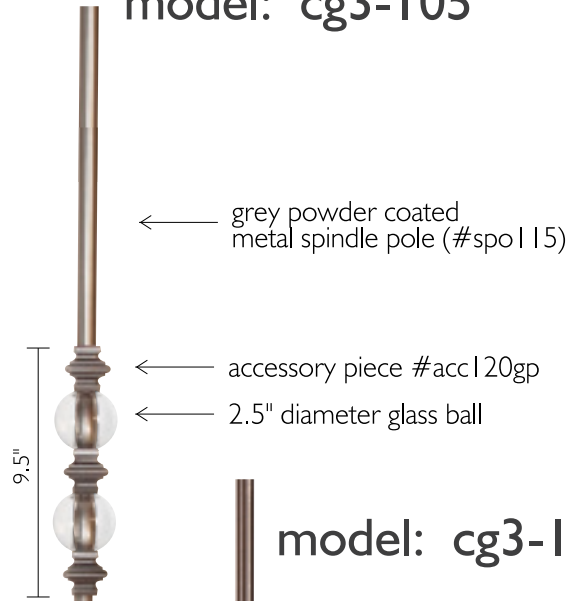


classic glacé three series ...

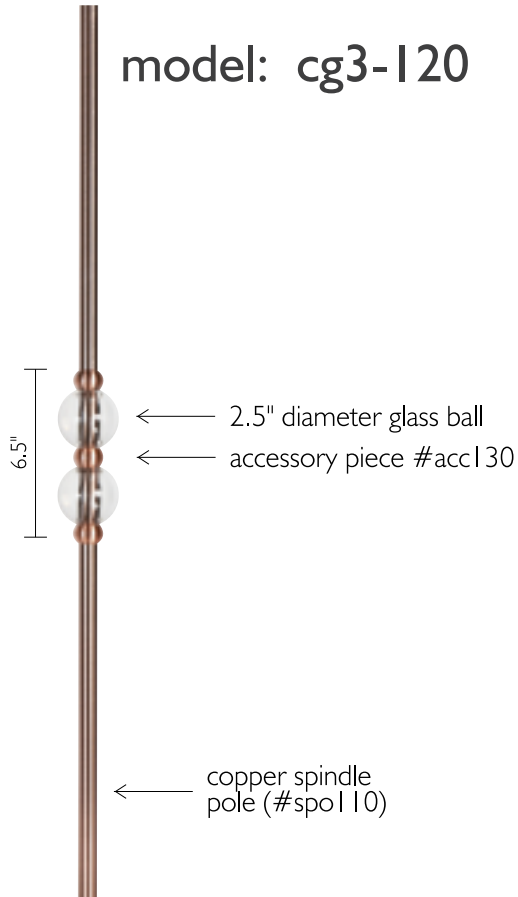


The classic glacé series emendates a sense of progressive class, and yet somehow still able to retain a certain feeling of traditional composure. It is rare to find a decor piece that can capture both and this series certainly does. This elegant spindle can also turn anyone's staircase into a showcase.

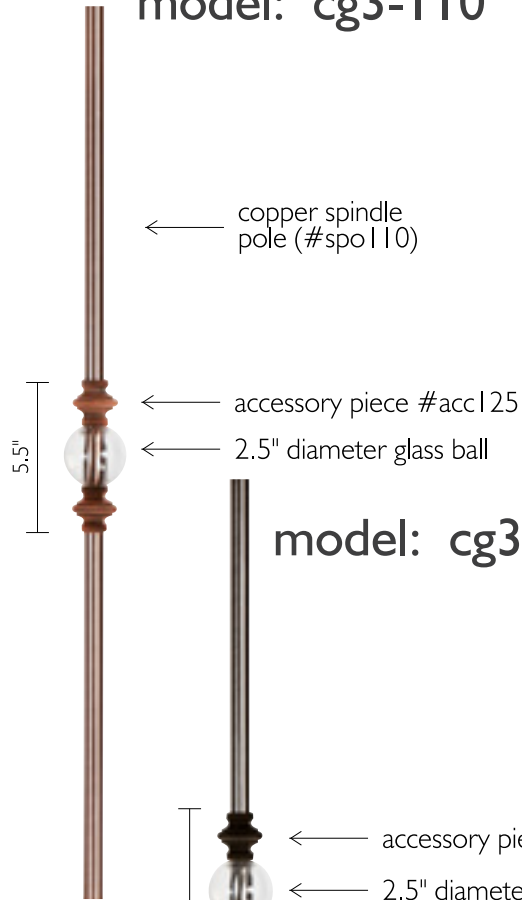
model: cg3-105



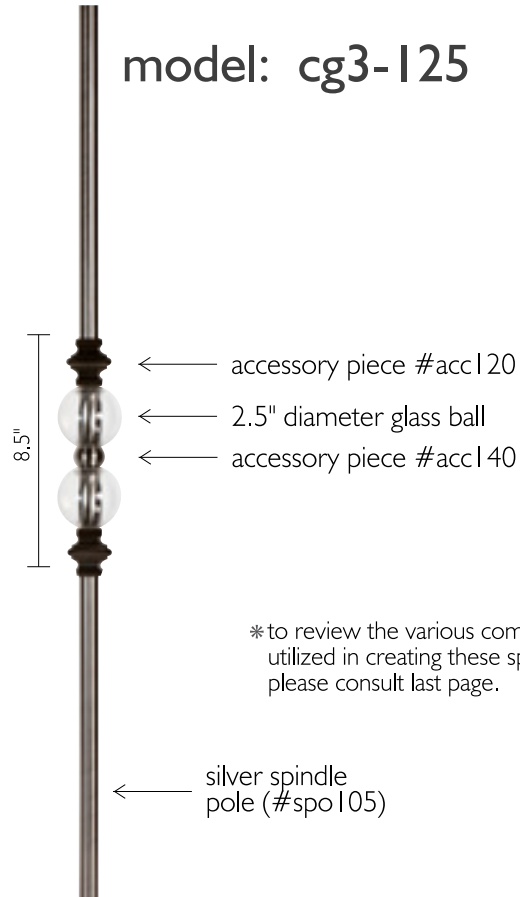
model: cg3-120



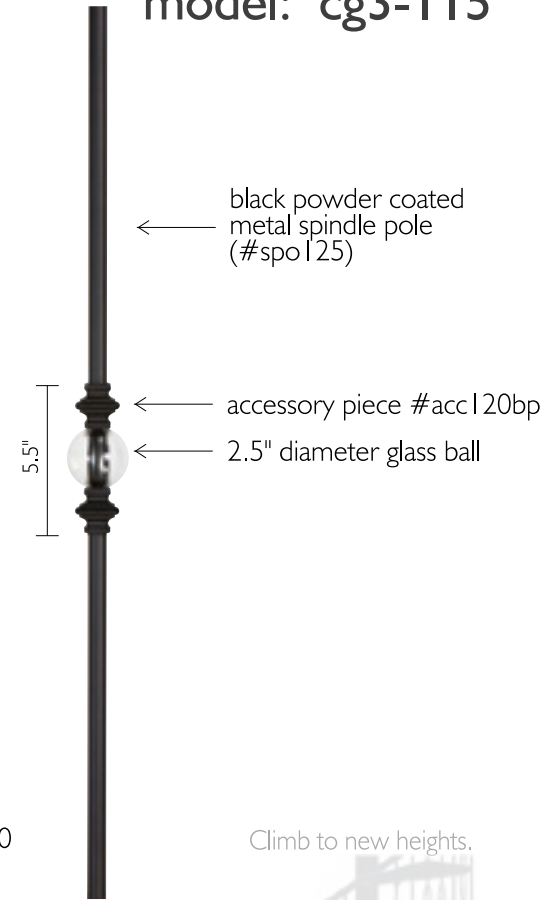
model: cg3-110



model: cg3-125



model: cg3-115

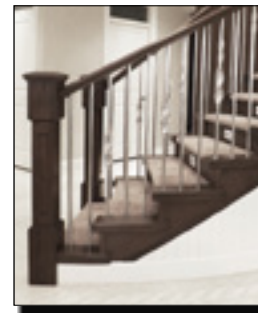


*to review the various components utilized in creating these spindles please consult last page.

Climb to new heights.



classic glacé four series ...



This classic glacé series is definitely the most individual and unique of the four series. It is uncommon to locate a decor piece that is both bold and elegant ... this series certainly does. These unique shaped glass balls will turn your staircase into a showcase. We only hope that these spindles don't steal away the attention from the rest of your vestibule.

model: cg4-105

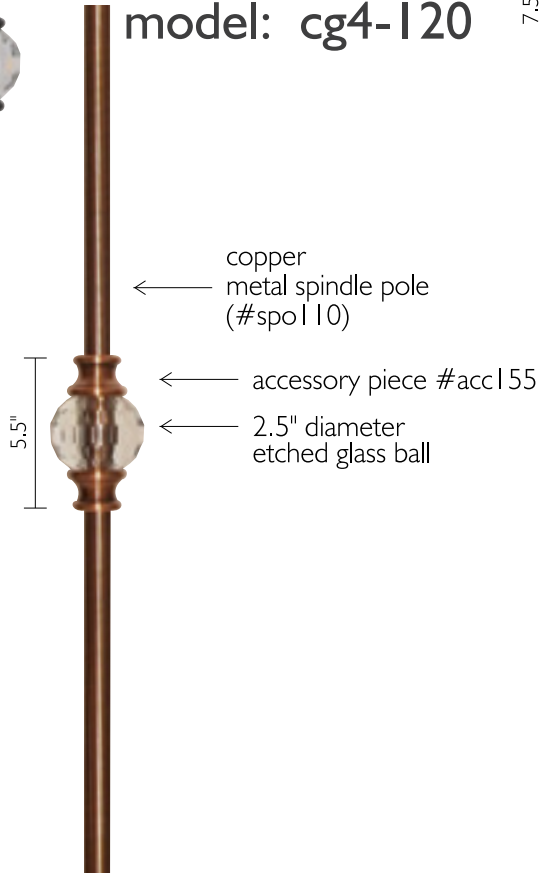


← black powder coated metal spindle pole (#spo125)

← accessory piece #acc160
← 2.5" diameter etched glass ball

9.5"

model: cg4-120



← copper metal spindle pole (#spo110)

← accessory piece #acc155
← 2.5" diameter etched glass ball

5.5"

model: cg4-110

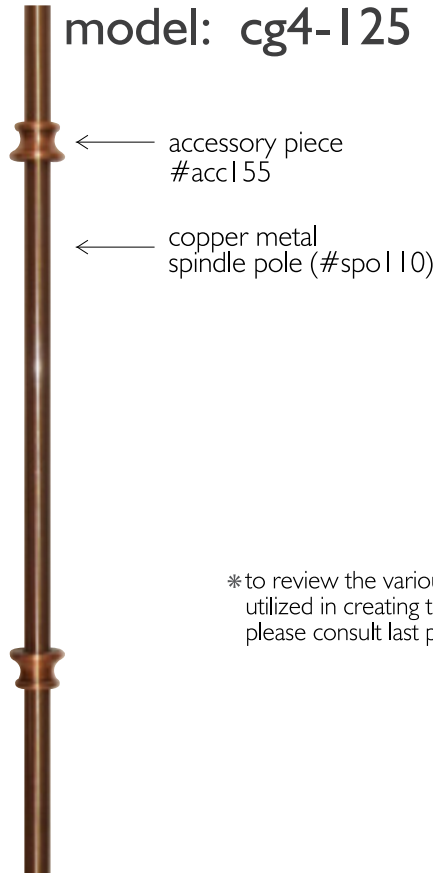


← black powder coated metal spindle pole (#spo125)

← accessory piece #acc160
← custom oval glass ball

7.5"

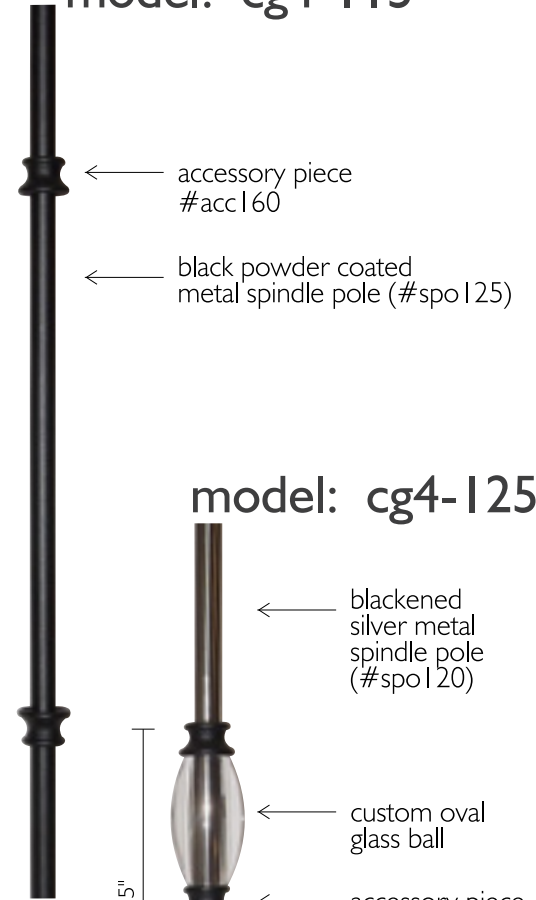
model: cg4-125



← accessory piece #acc155
← copper metal spindle pole (#spo110)

7.5"

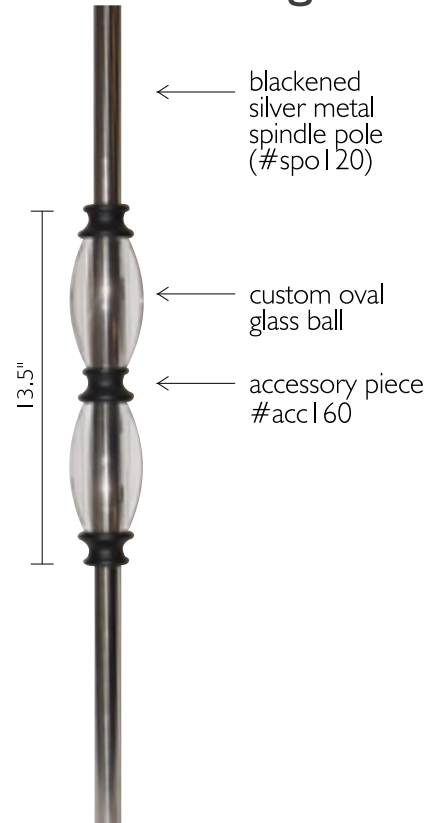
model: cg4-115



← accessory piece #acc160
← black powder coated metal spindle pole (#spo125)

7.5"

model: cg4-125



← blackened silver metal spindle pole (#spo120)
← custom oval glass ball
← accessory piece #acc160

13.5"

* to review the various components utilized in creating these spindles please consult last page.

crystalline series ...



The crystalline series is a similar line to the classic glaze series, but with the sharp edges that make you think of crystals. It provides a look of elegance while at the same time projecting a modern feel. The effect of this spindle changes dramatically with the choice of spindle pole. Each different spindle pole offers a different mood ... so choose wisely!

model: cry-105

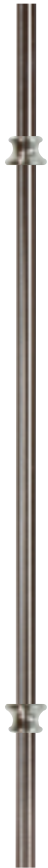


← silver spindle pole (#spo105)

← accessory piece #acc165

← custom acrylic insert

model: cry-120



← accessory piece #acc165

← silver spindle pole (#spo105)

model: cry-110



← blackened silver spindle pole (#spo120)

← custom acrylic insert

← accessory piece #acc145

model: cry-125



← accessory piece #acc165bs

← blackened silver spindle pole (#spo120)

model: cry-115



← blackened silver spindle pole (#spo120)

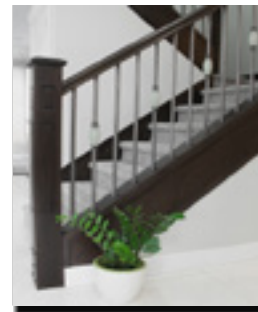
← custom acrylic insert

*to review the various components utilized in creating these spindles please consult last page.

Climb to new heights.



luminescent series ...



The luminescent series is definitely our most unique series ... it glows in the dark. These eye catching spindle accessories provide a soft luminescent effect when the area is dark. Above and beyond the truly modern effect, this series offers a safety feature for young children to navigate their way thru the staircase in the darkness!

model: lum-105

← black powder coat spindle pole (#spo125)

← accessory piece #acc160

← custom acrylic insert



model: lum-110

← black powder coat spindle pole (#spo125)

← custom acrylic insert

← accessory piece #acc160



model: lum-115

← grey powder coat spindle pole (#spo120)

← accessory piece #acc165gp

← custom acrylic insert



model: lum-120

← accessory piece #acc160

← black powder coat spindle pole (#spo125)



model: lum-125

← accessory piece #acc165gp

← grey powder coat spindle pole (#spo115)

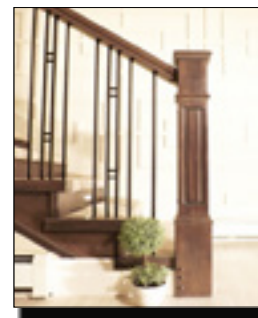
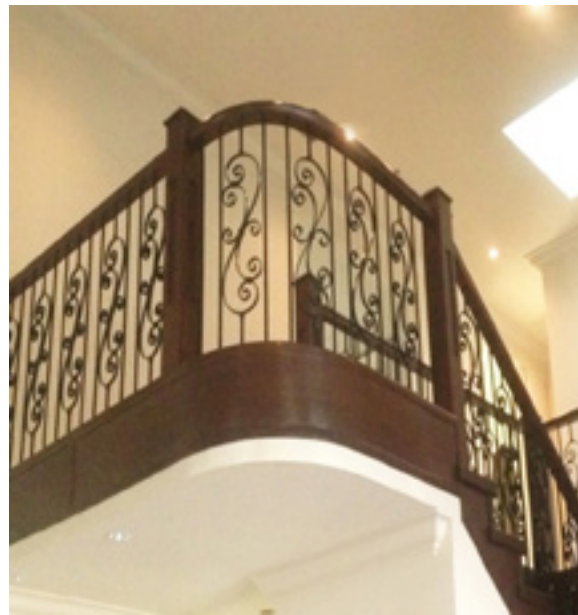


*to review the various components utilized in creating these spindles please consult last page.

Climb to new heights.



moderno modé series ...



The moderno modé series is exactly that ... a modernized version of classic fashion. These designs utilize unique combinations of metal & wood as well as crisp boxes that accent a bold edge on any interior design. These fashion statements were cutting edge at one time and have become sharp once more.

model: mod-105

← square spindle pole (#spo140)

← accessory piece #acc170

← custom acrylic insert



model: mod-110

← square spindle pole (#spo145)

← accessory piece #acc175

← custom acrylic insert



model: mod-115

← custom box inset



model: mod-120

← custom box inset



model: mod-125



Climb to new heights.



*to review the various components utilized in creating these spindles please consult last page.

vintage series ...



The vintage series pays homage to the traditional look of yester-year, with a very distinct appearance. Since this series is available in a variety of colours and finishes, it will be adaptable to virtually any decor. These wonderful spindles will make any foyer offer a feeling and sense of comfort ... of home.

model: vin-105



← silver spindle pole (#spo105)

← accessory piece #acc165

← custom lathed wood insert

model: vin-120



← silver spindle pole (#spo105)

← accessory piece #acc165

model: vin-110



← copper spindle pole (#spo110)

← accessory piece #acc155

← custom lathed wood insert

model: vin-125



← copper spindle pole (#spo110)

← accessory piece #acc155

model: vin-115



← blackpowder coat spindle pole (#spo125)

← accessory piece #acc160

← custom lathed wood insert

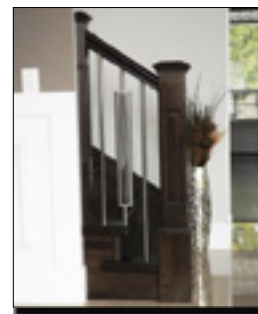
*to review the various components utilized in creating these spindles please consult last page.

* wooden inserts come unstained to allow you to match interior.

Climb to new heights.

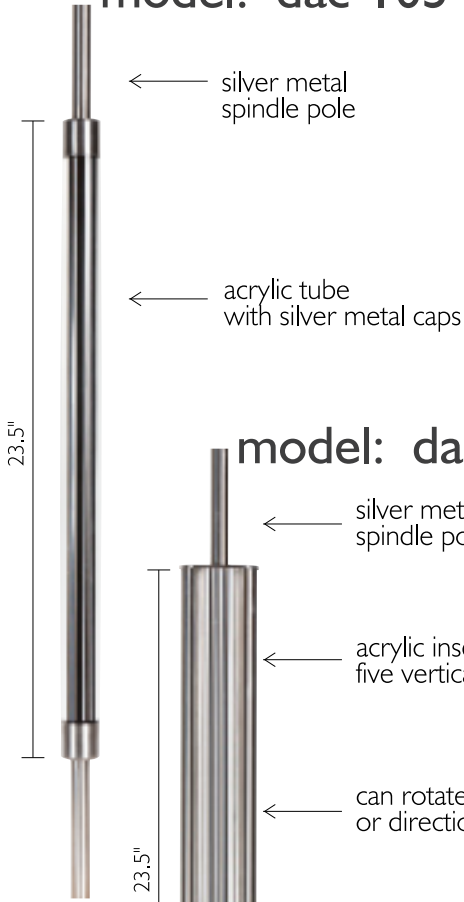


deco acrylic series ...

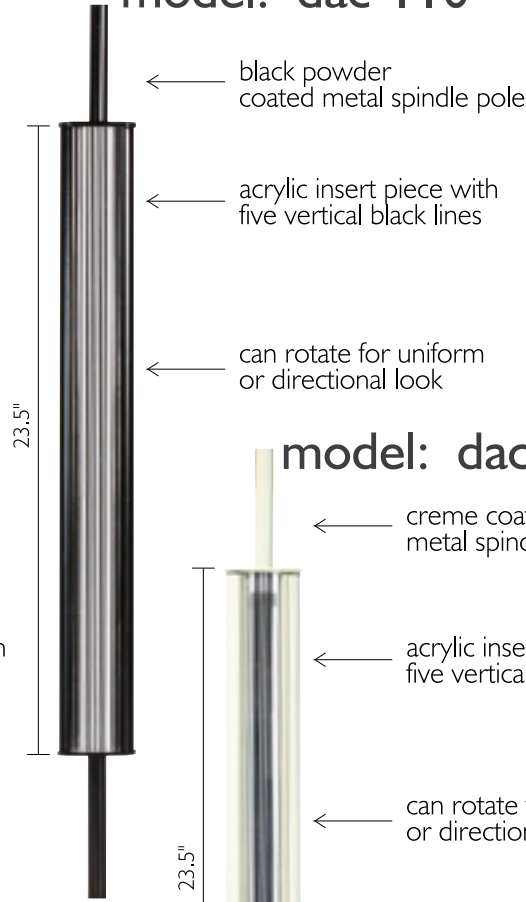


The deco-acrylic series epitomises the word elegance. It definitely adds a sense of class to any decor while at the same time offers a feeling of strength. Made of ever durable steel that tastefully encloses a unique design of acrylic. This classy modern spindle is available in four finishes with a beautiful acrylic insert piece.

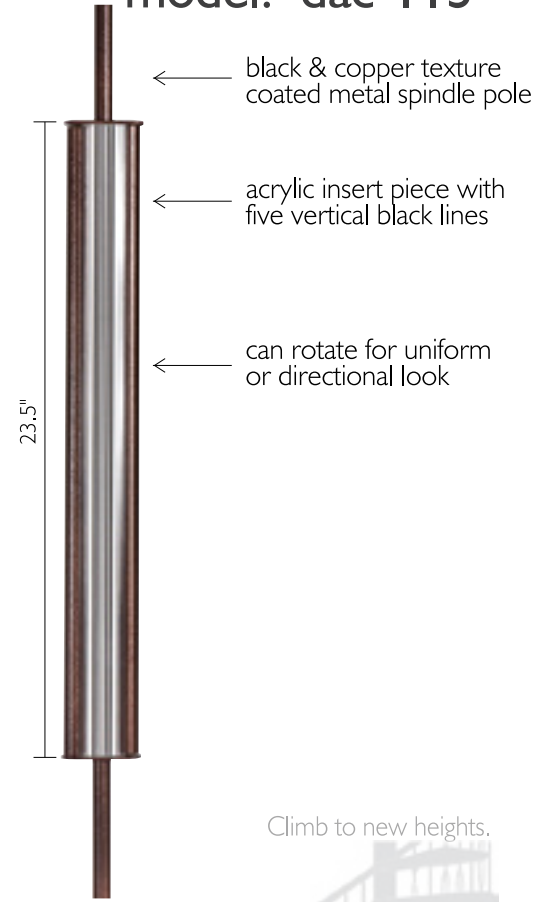
model: dac-105



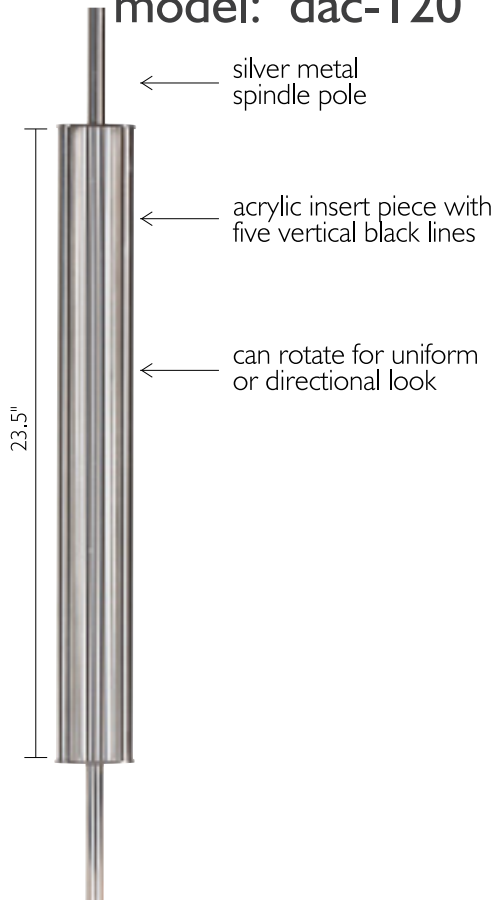
model: dac-110



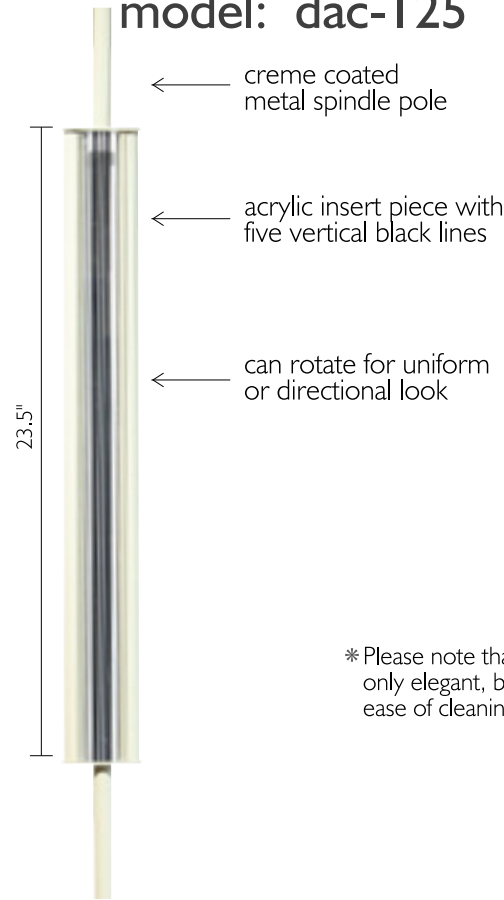
model: dac-115



model: dac-120



model: dac-125



* Please note that this series is not only elegant, but also offers an ease of cleaning feature.

Climb to new heights.

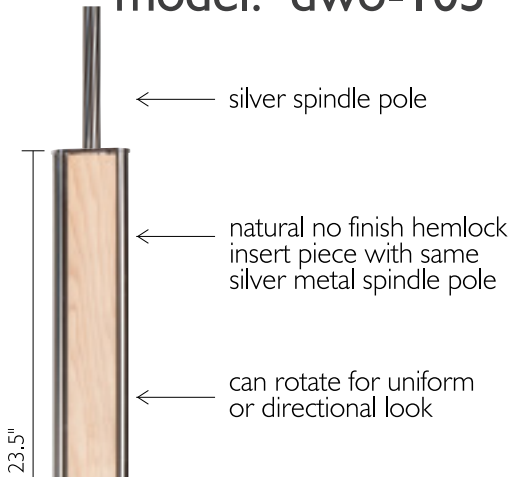


deco wood series ...

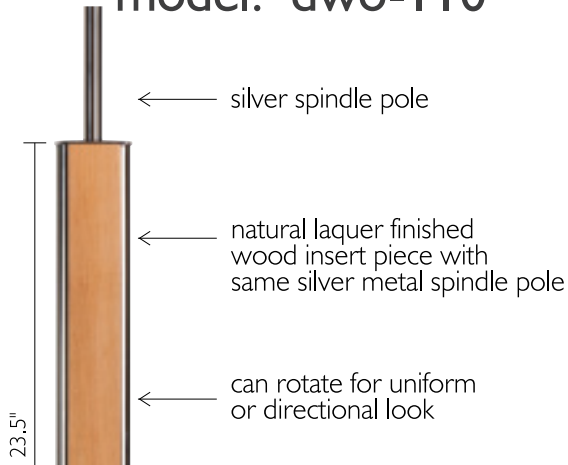


The deco-wood series is synonymous with the words traditional class. This unique combination of metal and wood creates elegance in any interior design. It can be made to stand out or blend in to match the post and banister. This classy traditional spindle, yet with a modern twist, is available in two finishes with a variety of wooden insert pieces.

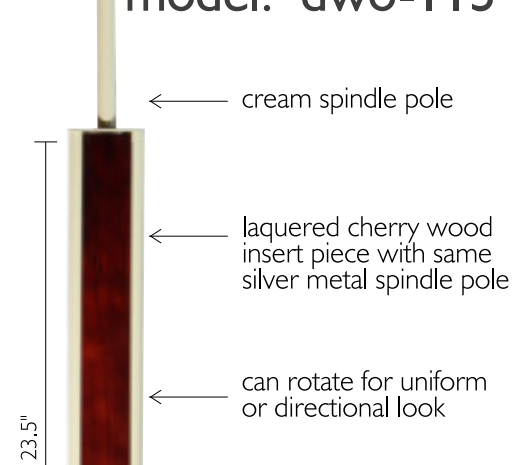
model: dwo-105



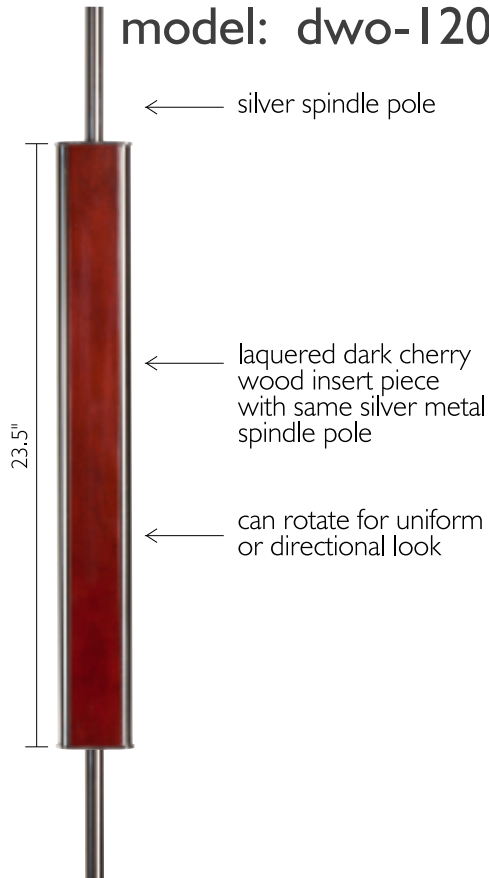
model: dwo-110



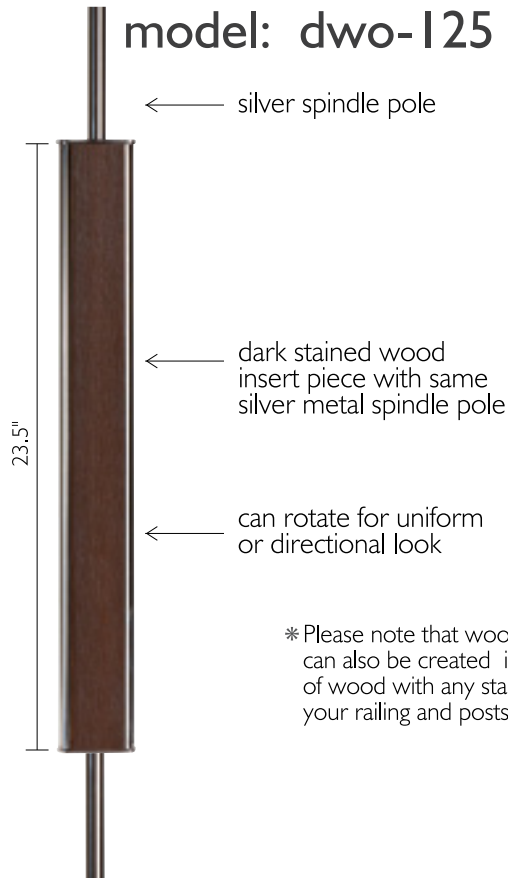
model: dwo-115



model: dwo-120



model: dwo-125

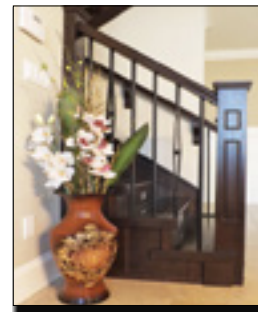


* Please note that wood inserts can also be created in any species of wood with any stain to match your railing and posts.

Climb to new heights.



split rod & ball series ...

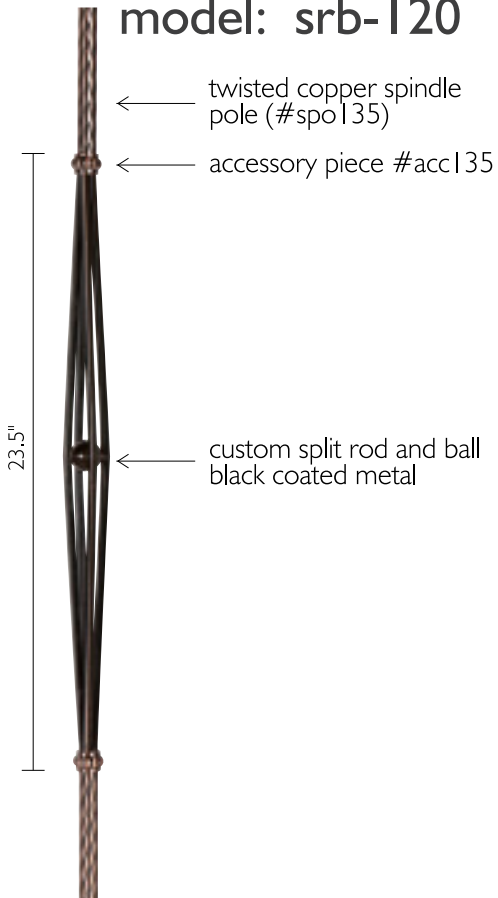


The split rod & ball series projects an image of traditional class yet bold enough to be considered Spanish moderno. This series is manufactured from rugged steel and finished with a black or silver coat depending, of course, upon the style of interior design. This series goes well with naturally stained or painted wood.

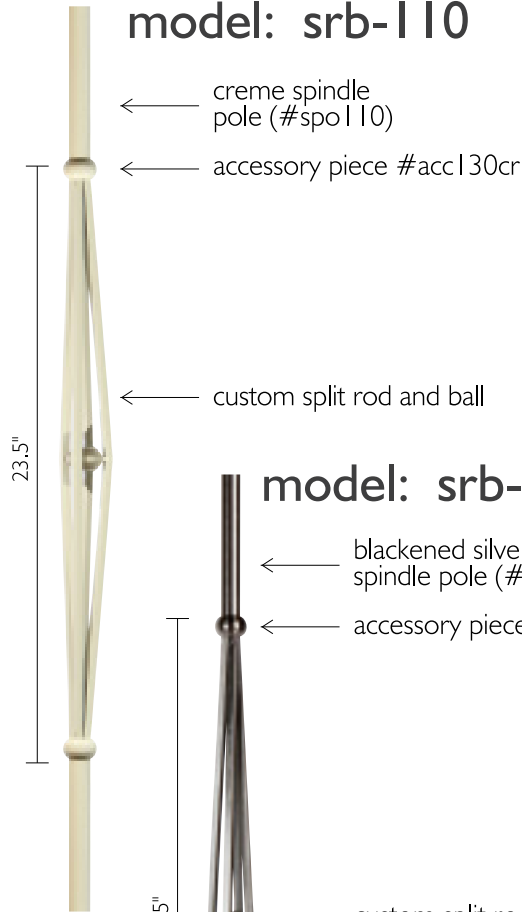
model: srb-105



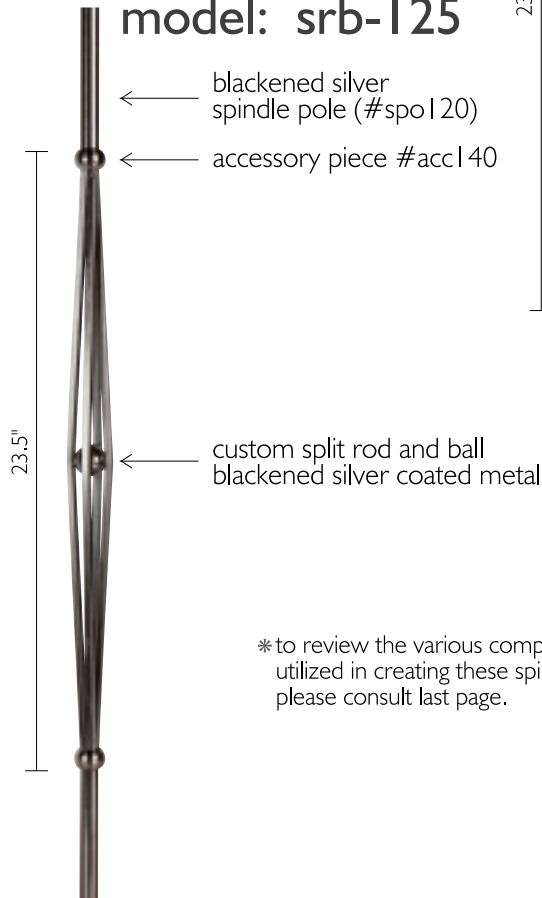
model: srb-120



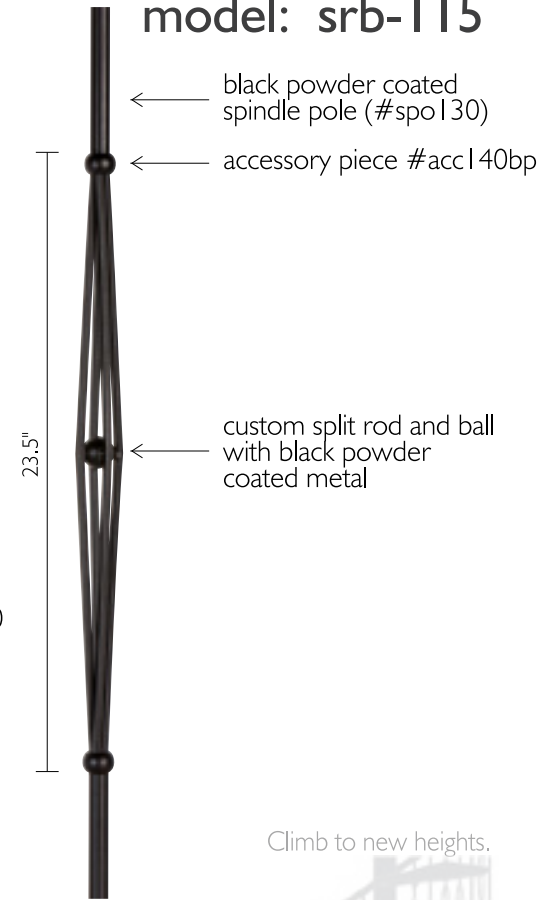
model: srb-110



model: srb-125



model: srb-115

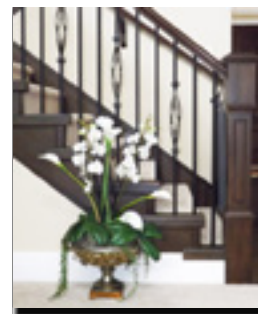


*to review the various components utilized in creating these spindles please consult last page.

Climb to new heights.

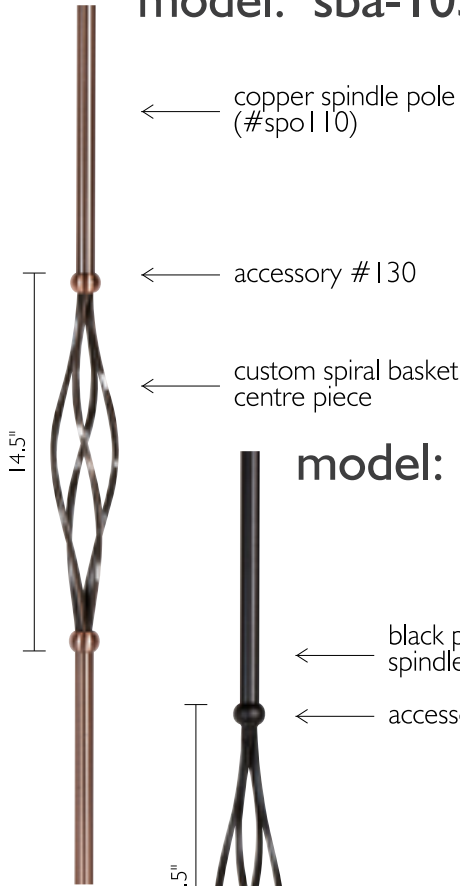


spiral basket series ...

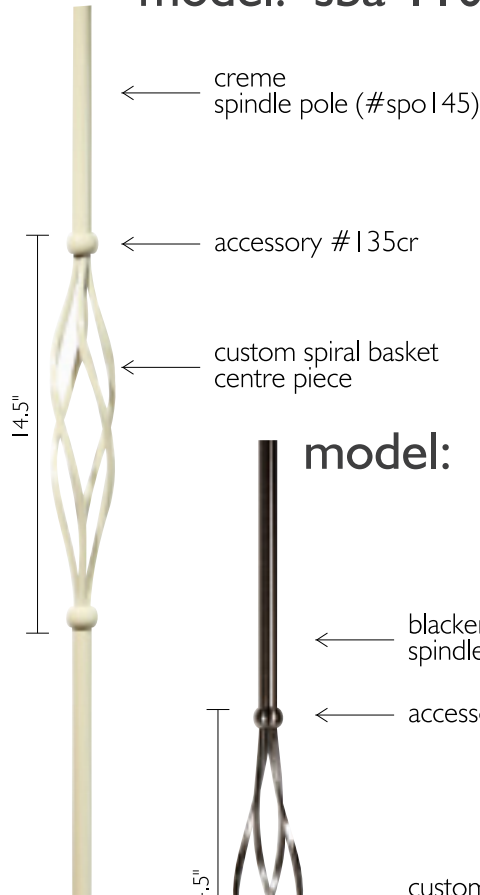


The spiral basket series offers a unique feeling and image of both traditional craftsmanship and elegant design. Available in many finishes and can therefore be incorporated into just about any interior ... whether it be bold or subtle. As you can see this series also projects that fashionable look like that of a European villa.

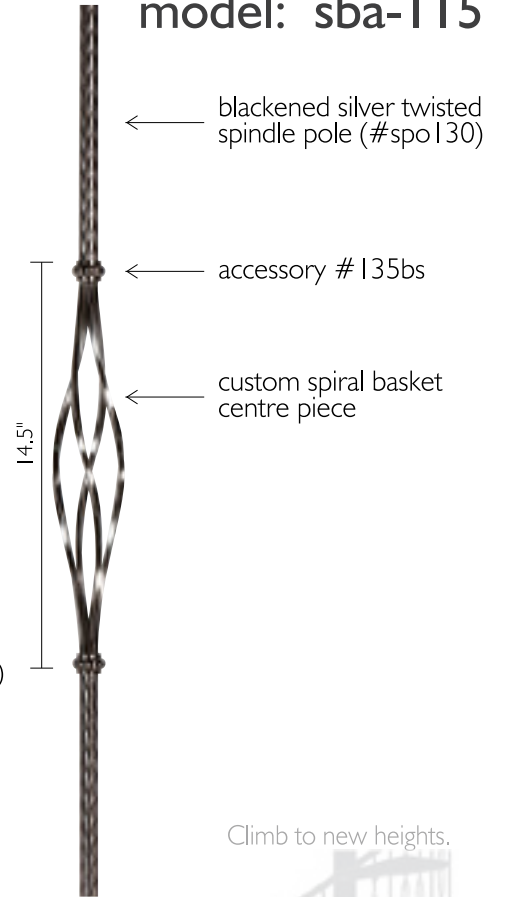
model: sba-105



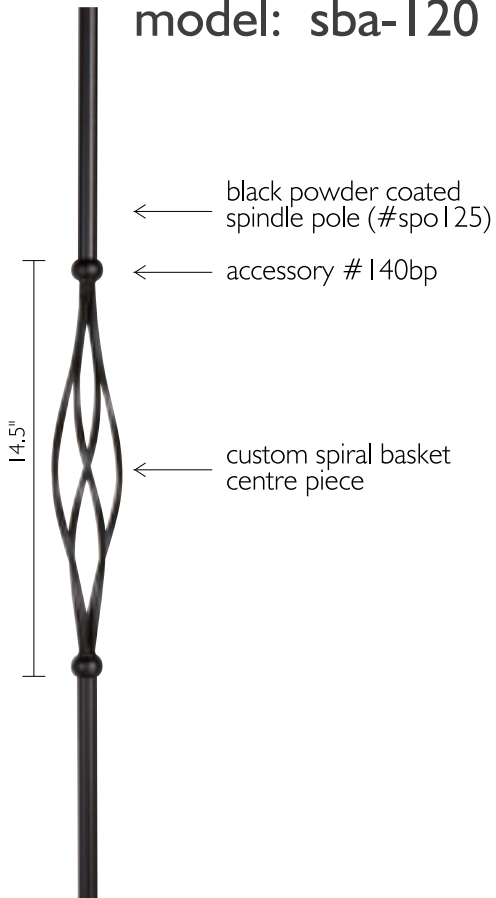
model: sba-110



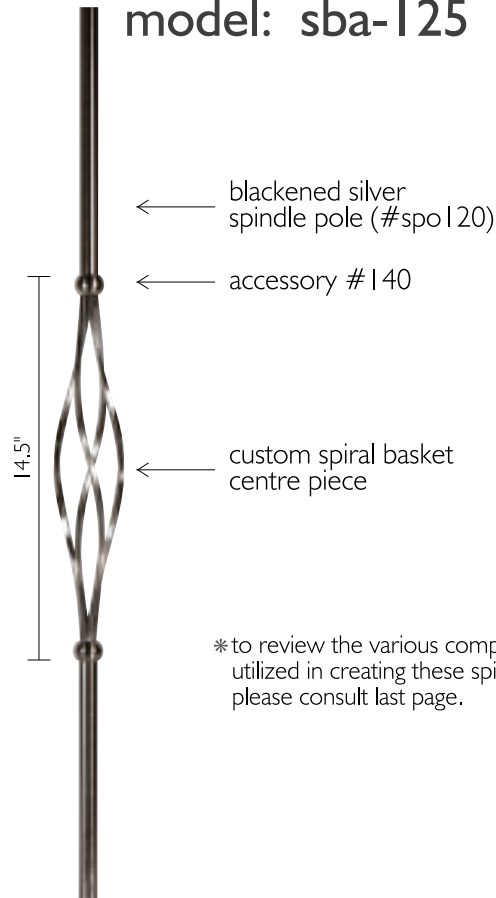
model: sba-115



model: sba-120



model: sba-125

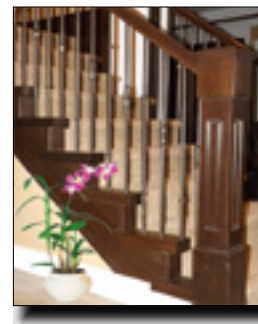


*to review the various components utilized in creating these spindles please consult last page.

Climb to new heights.

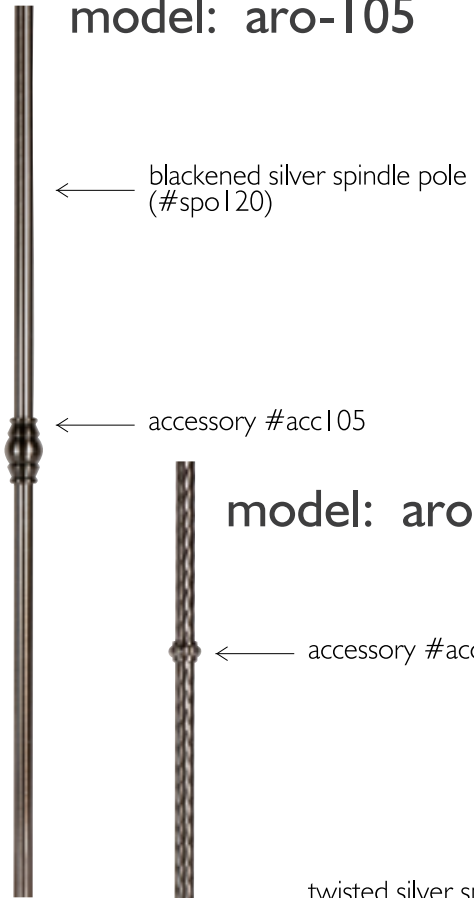


artistic rod one series ...



The first artistic rod series was designed for a combination of simplicity and class. These models are meant for interiors that do not want the spindles to over power the staircase, yet at the same time wish to offer a sense of elegance. This series is subtle by nature but because of its intricate accessories it projects a classy feeling.

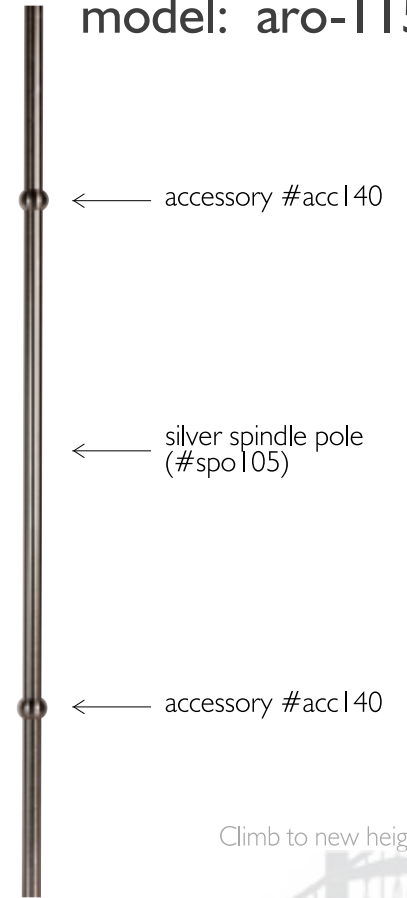
model: aro-105



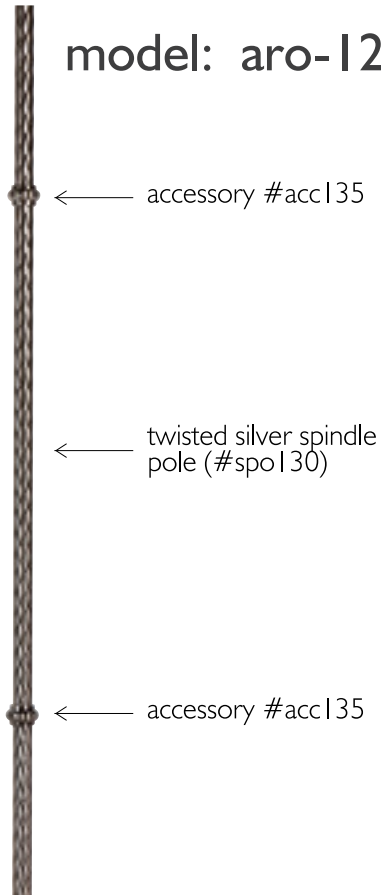
model: aro-110



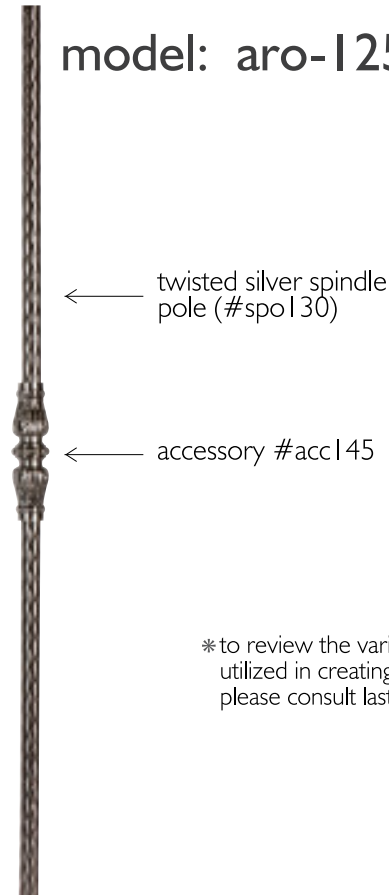
model: aro-115



model: aro-120



model: aro-125

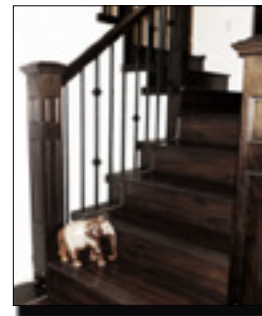


*to review the various components utilized in creating these spindles please consult last page.

Climb to new heights.

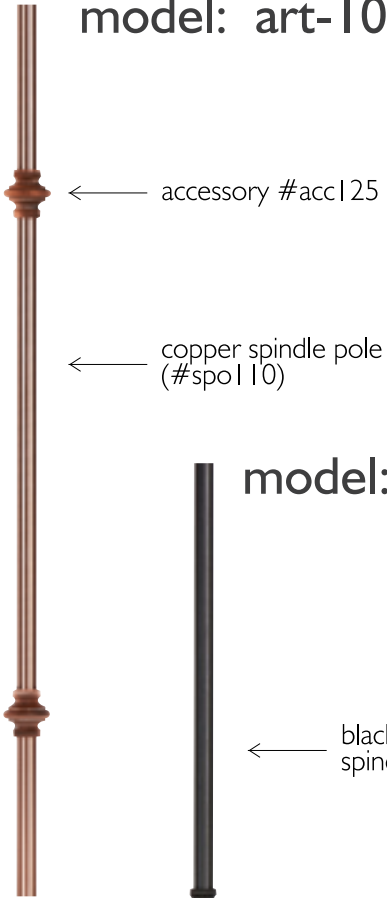


artistic rod two series ...



Our second artistic rod series is truly created for our customers that enjoy simplicity. This series is not designed to stand out or make a statement but rather to tastefully accent the staircase without taking anything away from it. All five models carry this simple feeling and are definitely meant to project modesty.

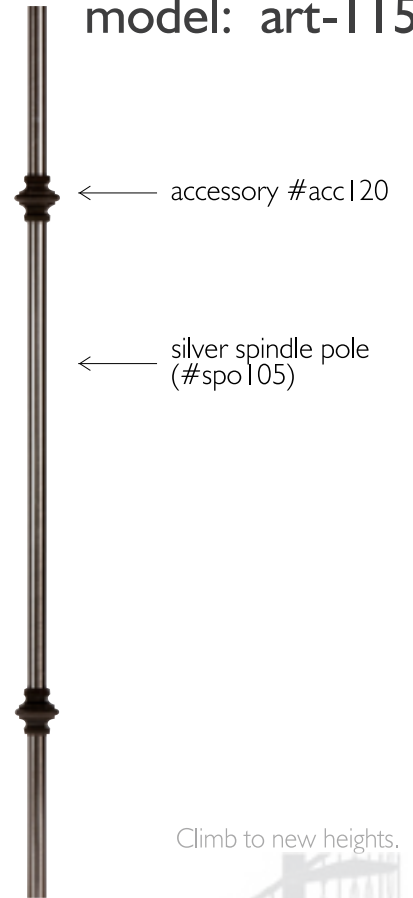
model: art-105



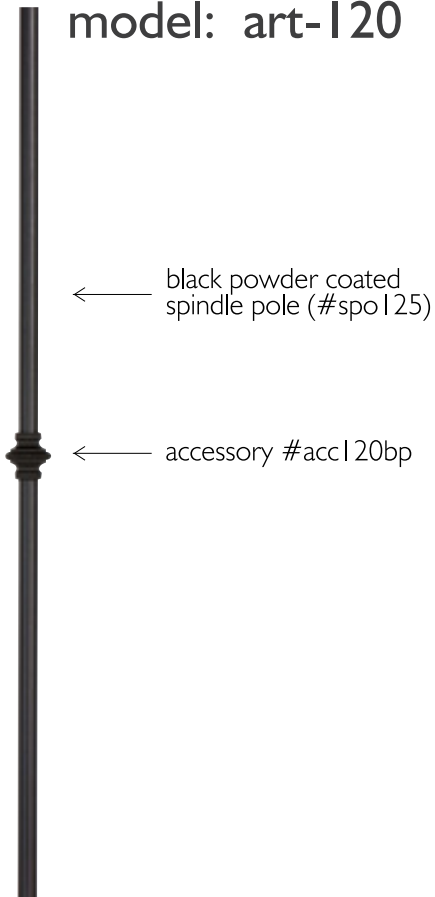
model: art-110



model: art-115



model: art-120



model: art-125



*to review the various components utilized in creating these spindles please consult last page.

Climb to new heights.



chicane series ...



The chicane series provides a traditional feeling and image of both craftsmanship and elegant design. Available in black powder finish and can be incorporated into just about any interior ... whether it be bold or subtle. As you can see this series also projects that fashionable look like that of a Mediterranean villa.

model: chi-105



← black powder coated spindle pole (#spo125)

← custom decorative piece

model: chi-110



← black powder coated spindle pole (#spo125)

model: chi-115



← black powder coated spindle pole (#spo125)

← custom decorative piece

model: chi-120



← black powder coated spindle pole (#spo140)

← custom decorative piece

model: chi-125



← black powder coated spindle pole (#spo140)

← custom decorative piece

*to review the various components utilized in creating these spindles please consult last page.

Climb to new heights.

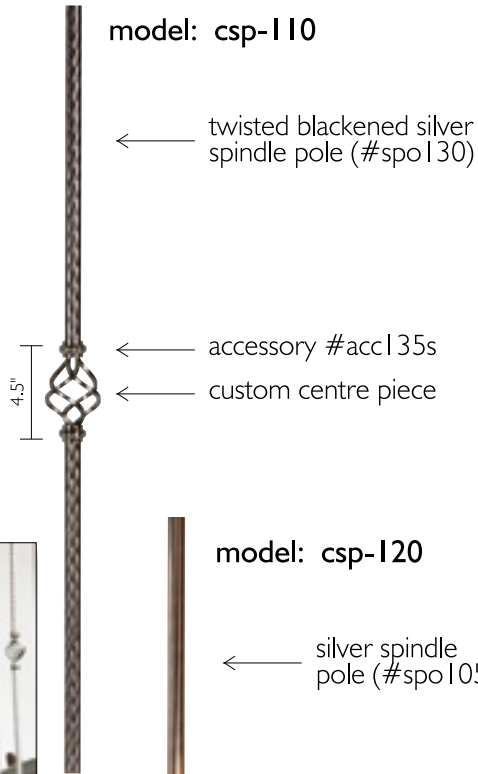


custom spindle series ...

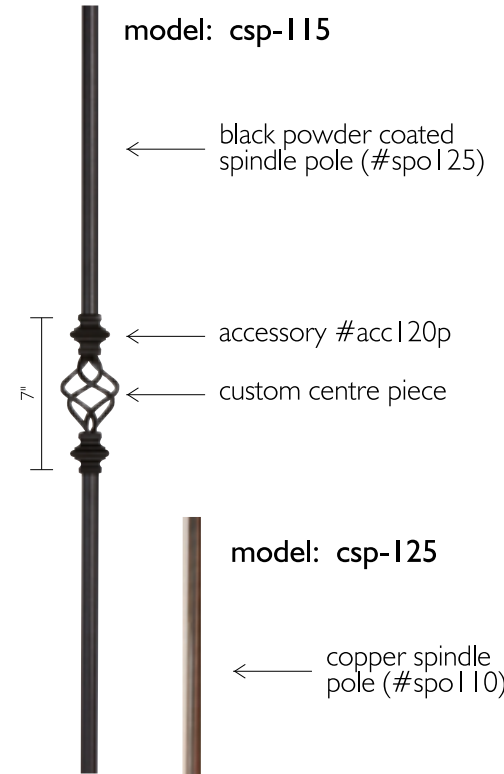
model: csp-105



model: csp-110



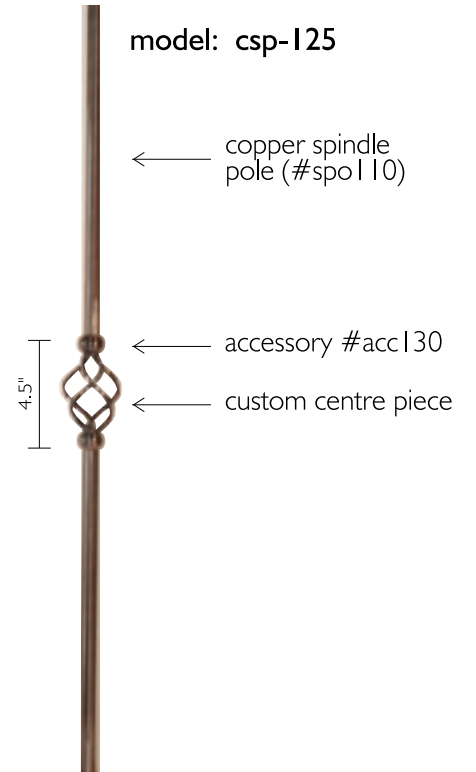
model: csp-115



model: csp-120



model: csp-125



*to review the various components utilized in creating these spindles please consult last page..



wooden posts ...

52"



model: pos-105

52"



model: pos-110

52"



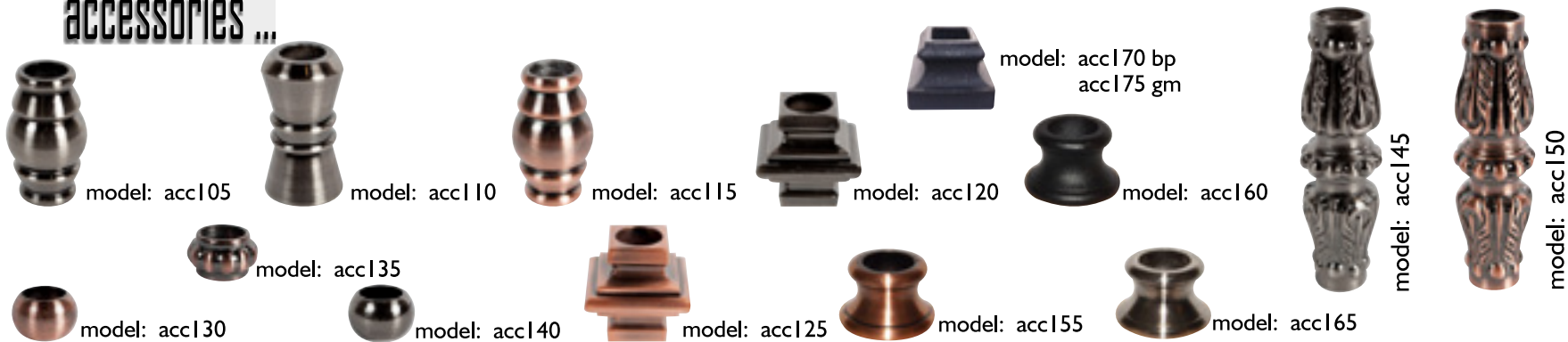
model: pos-115

*Most wooden posts are inventoried without stain to accommodate stain matching with staircase handrails on premises.

spindle poles ...



accessories ...



note: -spindle pole & accessory model code suffixes on series model photos match style with finishes as follows; gp: grey powder coat / bp: black powder coat / bs: blackened silver / gm: gun metal grey / cr: creme

terms & conditions:

- 1) While we have made all efforts to produce pictures in exact colours, there is no guarantee that final products will be supplied exactly as you see in print or on the internet. Colour reproduction in different media and settings can produce slightly varying results.
- 2) Regrettably there are no returns or credits for custom or special ordered product. Product held for more than 7 days after notification of arrival will be automatically charged to customer. Products will be held for an additional 30 days, after which it will be disposed.
- 3) There are occasions when certain specified lengths cannot be met due to either type of wood or lengths available in the market, and Westcoast Moulding & Millwork Limited (WMM) will substitute lengths where necessary. Quantities shipped may vary, within a reasonable amount, from quantities ordered. WMM will invoice at actual quantities shipped.
- 4) All product must be inspected prior to installation. While we strive for excellence in shipping, occasionally errors may occur. In the event of a discrepancy in quality, quantity or product, notice must be given to WMM as soon as possible and no later than 5 days after arrival of product.
- 5) LIMITED WARRANTY: A manufacturer's warranty applies to most products sold. This warranty may vary from product to product. In no event shall WMM be liable for any special, incidental, exemplary, or consequential damages, or commercial loss of any kind (including loss of income or profits). WMM's entire liability for breach of warranty is limited to the replacement of defective products, or to an amount not to exceed the price of the defective products. This agreement excludes all implied warranties including, but not limited to, the warranties of merchantability and fitness for a particular use.
- 6) The customer agrees to pay for all expenses and fees arising from, or related to, purchases made and efforts to collect payment for those purchases.
- 7) All orders must be confirmed with all the possible details such as: series, model numbers, finishes, lengths, price and total cost. Large or custom orders may require additional order processing time. Customers are required to check the order confirmation thoroughly, sign it and send it back to us for preparation. Any changes must be re-faxed, mailed, or e-mailed with confirmation, verbal confirmations will not be accepted. Work orders are not issued without signed confirmations. Once a confirmation is signed and accepted any changes made onwards will be subject to additional charges. Any mistake in order confirmation must be pointed out at the outset, failing which it will become customer's responsibility.
- 8) Extra charges may apply for custom assemblies not illustrated in this catalogue.
- 9) Rush orders may be subject to additional charges.
- 10) Legal: Unauthorized reproduction of information, pictures or drawings contained in this catalogue is prohibited and is subject to copyright laws.

Any/All terms and conditions are subject to change without notice. Please feel free to contact our office for information.

All disputes shall be within the jurisdiction of the Surrey, British Columbia provincial courts, subject to the laws of the land.

Climb to new heights.



call us at: 604.513.1138 / toll free: 1 800-667-5597

18810 96 Avenue, Surrey, BC V4N 3R1

website: westcoastmoulding.com