

2024 EDITION

MOULDING GUIDE

WESTCOAST MOULDING & MILLWORK LIMITED

HOME TO THE
LARGEST SELECTION
OF IN-STOCK
MOULDING PROFILES,
FLATSTOCK, AND
ARCHITECTURAL
PRODUCTS IN
WESTERN CANADA



CONTENTS

WESTCOAST MOULDING & MILLWORK LIMITED	01
EXCLUSIVE WESTCOAST MOULDING COLLECTIONS	02
WESTCOAST CLASSIC COLLECTION	03
WESTCOAST URBAN COLLECTION	04
WESTCOAST COVE COLLECTION	05
IN-STOCK BASEBOARDS	06
DOOR & WINDOW CASING	08
STANDARD & CUSTOM DOORS	09
CUSTOM-BUILT STAIRCASES	10
FLATSTOCK	11
HEADERS, CROWNS	12
PANEL MOULDINGS	14
CHAIR RAILS, DOOR JAMBS, STOPS & SCREEN MOULDS	
BRICK MOULDS, PARTING STRIPS, BURLAPS, STAIR NOSING	15
COVES, CORNERS & ROUNDS	
WINDOW SILLS	
V-JOINT, BEADED PANELLING, SHIPLAP SIDING, GAP PANELLING	16
POLYURETHANES	17
WALL PANELLING	18
FLATSTOCK GUIDE	19
DURABOARD®	21

WESTCOAST MOULDING & MILLWORK LIMITED

A PROUDLY CANADIAN COMPANY, WESTCOAST MOULDING IS AN AWARD-WINNING INDUSTRY LEADER AND YOUR SOURCE FOR PREMIUM QUALITY INTERIOR AND EXTERIOR FINISHING PRODUCTS, CUSTOM-BUILT STAIRCASES, STAIR PARTS, CUSTOM MILLWORK, CNC MACHINING, AND EXPERT SOLUTIONS FOR ALL YOUR BUILDING FINISHING NEEDS.

After over 30 years in business, we are humbled and grateful to be considered a leader in the building-trades finishing industry and to have served 10's of thousands of satisfied customers. We're fortunate and proud to staff an experienced and knowledgeable team providing expert advice and moulding solutions and that we stock over 1,500 quality finishing products.

Whether you're a builder, renovator, design professional, or homeowner, Westcoast Moulding has a Building Finishing Product or service for your needs.

Drop by our showroom in Surrey, BC or visit westcoastmoulding.com for the most extensive selection of home finishing products in Western Canada.

Speak with a Westcoast Product Expert today to learn more about:

- In-Stock Moulding & Flatstock
- Westcoast Moulding Collections
- Custom Profiles
- Custom-Built Signature Staircases
- Hand Rails & Stair Parts
- Stain Grade Lumber
- Flooring (Lux. Vinyl, Lam., Engineered)
- Sheet Goods (Paint & Stain Grade)
- Special Order Products
- Standard & Custom Doors & Hardware
- Duraboard® PVC Sheets & Mouldings
- Flexible Mouldings
- Faux Beams
- Wood Alternative Decking
- Polyurethane Decorative Elements
- Embellished Hardwood Mouldings, Ceiling Details, Corbels & Architectural Woodcarvings

QUALITY PRODUCTS • PREMIUM SERVICE • EXPERT SOLUTIONS



CLASSIC
 URBAN
 COVE
 SOHO
 SOUTHLANDS
 ESPLANADE
 LINEAR LINES
 KITSILANO
 REVIVAL
 MARPOLE
 CRAFTSMAN



DEFINE YOUR SPACE WITH EXCLUSIVE WESTCOAST MOULDING COLLECTIONS

CUSTOM DESIGNED AND CURATED
 MOULDING SERIES FROM
 WESTCOAST MOULDING & MILLWORK LIMITED

THE WESTCOAST TEAM OF PRODUCT EXPERTS IS ALWAYS ON THE LOOKOUT FOR NEW AND CURRENT DESIGN TRENDS AND CONSULTS WITH DESIGN PROFESSIONALS ONGOING TO STAY UP TO DATE WITH WHAT'S HAPPENING IN HOME AND INTERIOR BUILDING FINISHING. THE TEAM COLLABORATES TO DESIGN AND MANUFACTURE CUSTOM WESTCOAST MOULDING PROFILES AND SHARES PRODUCT KNOWLEDGE AND FEEDBACK TO CATALOGUE CURATED COLLECTIONS OF IN-STOCK MOULDING PROFILES.

THE COLLECTIONS ARE OF EXCLUSIVE WESTCOAST DESIGNS AND SOME OF OUR MOST POPULAR IN-STOCK MOULDING PROFILES PACKAGED FOR EASY SELECTION AND SPECIFICATION.

SCALABLE PDF AND CAD FILES ARE AVAILABLE UPON REQUEST AND ORDERS, OR QUOTE REQUESTS CAN BE MADE BY CONTACTING A SALES REPRESENTATIVE, THE SALES OFFICE, OR THROUGH THE WESTCOAST MOULDING WEBSITE.

WM1244 DOOR & WINDOW CASING, MARPOLE COLLECTION



SCAN QR CODE TO VIEW
 THE WESTCOAST MOULDING
 COLLECTIONS ONLINE.



REFINE YOUR SPACE WITH THE WESTCOAST CLASSIC COLLECTION

AN EXCLUSIVE DESIGN FROM THE TEAM AT WESTCOAST MOULDING & MILLWORK LIMITED

CROWNS

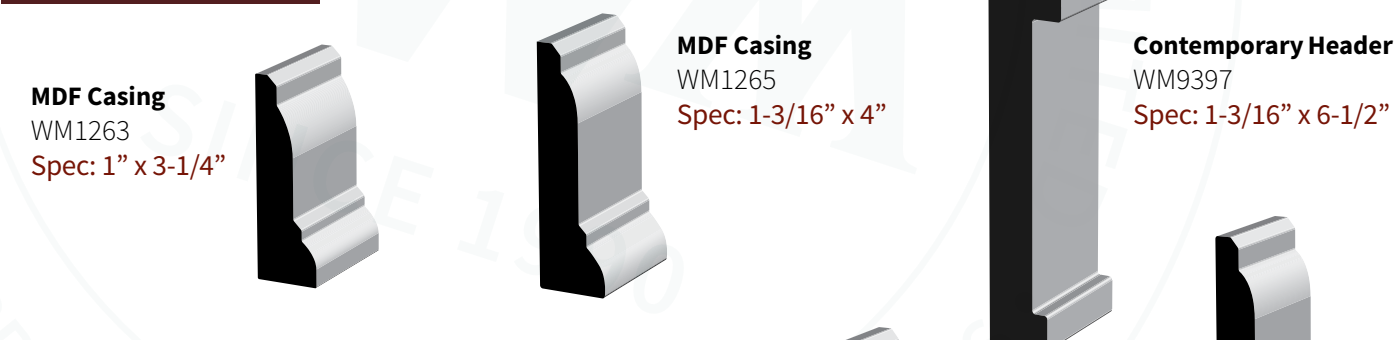


MDF Crown
 WM4366
 Spec: 1" x 6-1/4"

MDF Crown
 WM4368
 Spec: 1" x 8-1/4"

MDF Header
 WM9366
 Spec: 1-1/2" x 6-1/4"

CASINGS

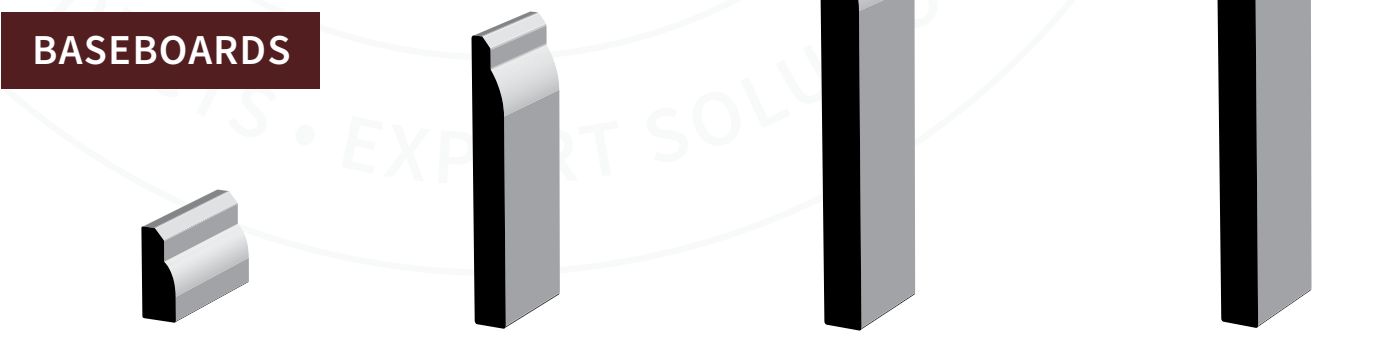


MDF Casing
 WM1263
 Spec: 1" x 3-1/4"

MDF Casing
 WM1265
 Spec: 1-3/16" x 4"

Contemporary Header
 WM9397
 Spec: 1-3/16" x 6-1/2"

BASEBOARDS



MDF Baseshoe
 WM267 Spec: 1/2" x 1-1/4"

MDF Baseboard
 WM2365 Spec: 5/8" x 5-1/4"

MDF Baseboard
 WM2367 Spec: 3/4" x 7-1/4"

MDF Baseboard
 WM2369 Spec: 3/4" x 9-1/4"

DIMENSIONS LISTED ARE CLOSE REPRESENTATIONS OF THE PROFILE SHOWN. Please confirm actual size and availability. *Denotes Special or Custom Order.
 FOR MORE INFORMATION email Info@westcoastmoulding.com | FOR SALES email Sales@westcoastmoulding.com or Request a Quote through Our Website.

DEFINE YOUR SPACE WITH THE WESTCOAST URBAN COLLECTION



AN EXCLUSIVE DESIGN FROM THE TEAM AT WESTCOAST MOULDING & MILLWORK LIMITED

CROWNS

MDF Crown
WM4477
Spec: 1" x 6-3/8"

4-17/32"
4-17/32"



5-1/2"
5-1/2"



MDF Crown
WM4478 Spec: 1" x 7-3/4"

CASINGS

MDF Casing
WM1273
Spec: 1" x 3-1/4"



MDF Casing
WM1274
Spec: 1-1/8" x 4"



BASEBOARDS

MDF Baseboard
WM2475
Spec: 5/8" x 5-1/2"



MDF Baseboard
WM2477
Spec: 3/4" x 7-1/4"



MDF Baseboard
WM2479
Spec: 3/4" x 9-1/4"



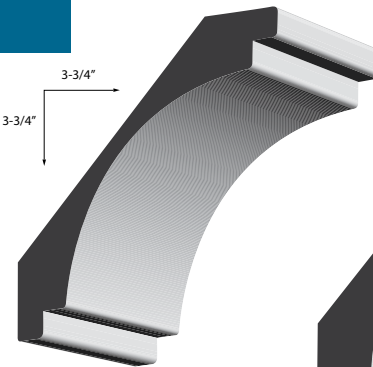
THROUGHOUT THE YEAR, AFTER REVIEWING CURRENT DESIGN TRENDS AND CONSULTING WITH ARCHITECTS & DESIGN PROFESSIONALS, OUR TEAM OF PRODUCT EXPERTS COLLABORATE ON NEW CUSTOM-DESIGNED MOULDING PROFILES. ON THE HEELS OF PAST PERFORMERS, THE COVE AND THE WESTCOAST CLASSIC COLLECTIONS, WE'RE PROUD TO PROVIDE ANOTHER EXCLUSIVE DESIGN, THE WESTCOAST URBAN COLLECTION.

SOLIDIFY YOUR SPACE WITH THE WESTCOAST COVE COLLECTION

CROWNS

MDF Crown
WM4305
Spec: 1" x 5-1/4"

3-3/4"
3-3/4"



4-3/4"
4-3/4"

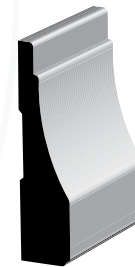


MDF Crown
WM4306
Spec: 1-3/16" x 6-3/4"

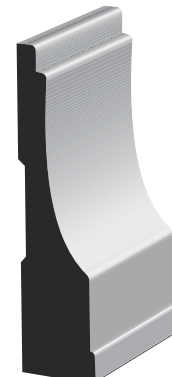
ONE OF OUR FIRST DESIGNS AND STILL A BEST SELLER IS THE WESTCOAST COVE COLLECTION. THE PROFILE FEATURES A SIMPLE SMOOTH CURVE BRACKETED BY CLEAN LINES SOLIDIFYING A SPACE AND CREATING A SENSE OF WELCOME AND ABUNDANCE.

CASINGS

MDF Casing
WM1223
Spec: 11/16" x 3"



MDF Casing
WM1224
Spec: 1" x 4"



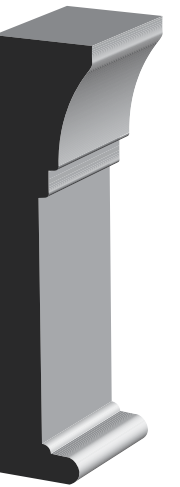
MDF Casing
WM1247
Spec: 1-3/16" x 4-1/2"

HEADERS

MDF Header
WM9382
Spec: 1-1/2" x 5-1/4"



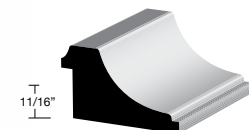
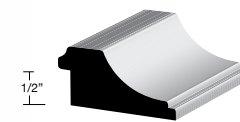
MDF Header
WM9383
Spec: 1-1/2" x 6-1/4"



BASEBOARDS

PANEL MOULDING

MDF Panel Moulding
WM3744
Spec: 13/16" x 1-3/4"



WM3745 Spec: 1" x 1-3/4"

MDF Baseboard
WM2349 Spec: 5/8" x 5-1/4"
WM2321



MDF Baseboard
WM2323 Spec: 11/16" x 7-1/4"



MDF Baseboard
WM2324 Spec: 3/4" x 9-1/4"

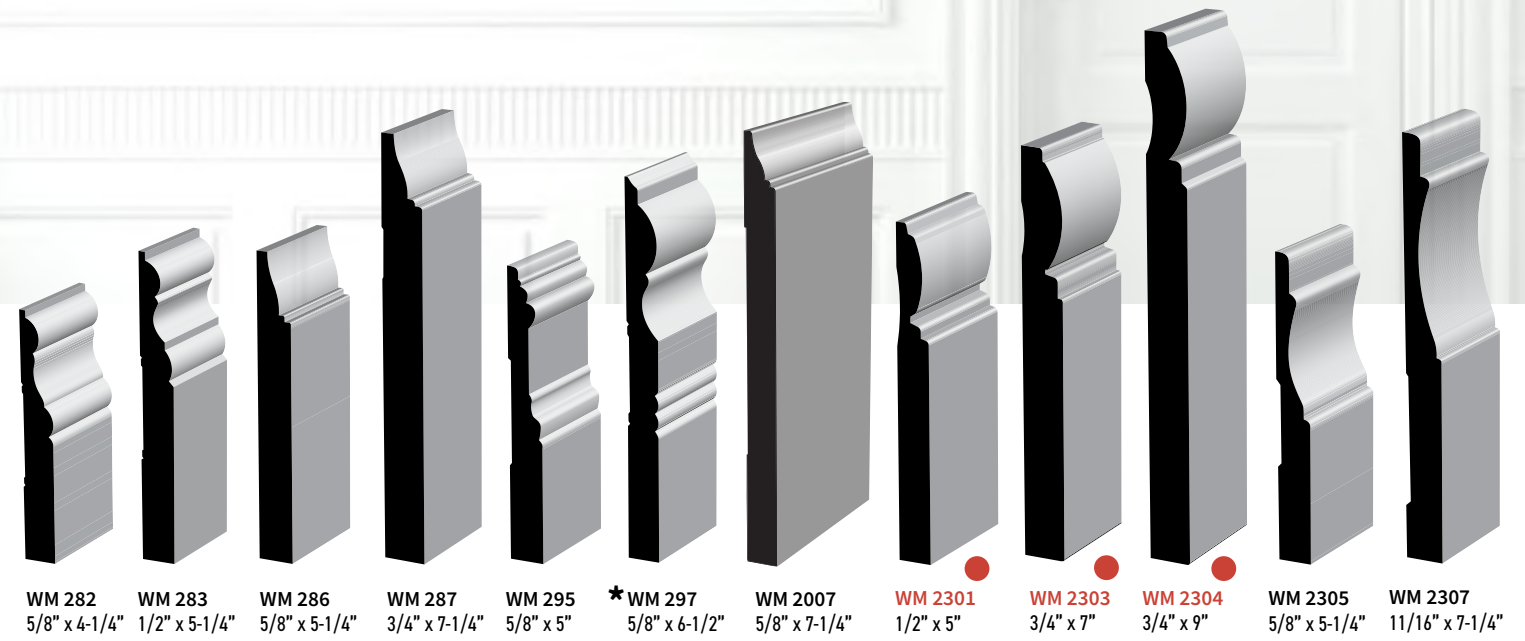
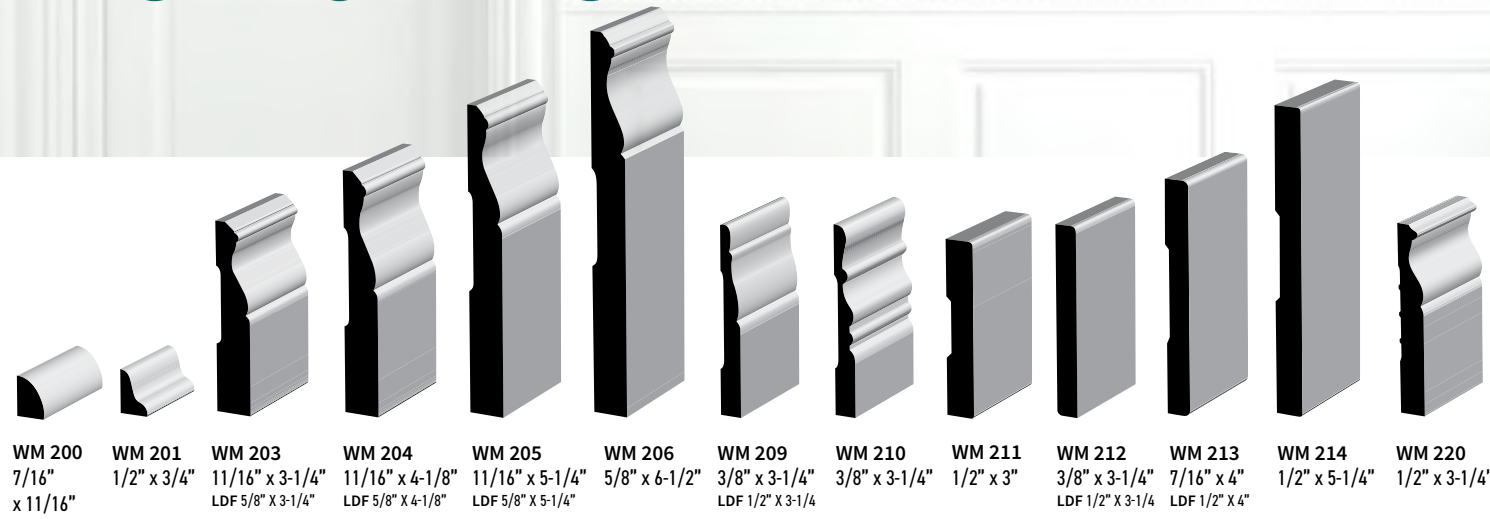
WINDOW SILL

MDF Sill Detail
WM3355
Spec: 1-1/2" x 2-1/2"

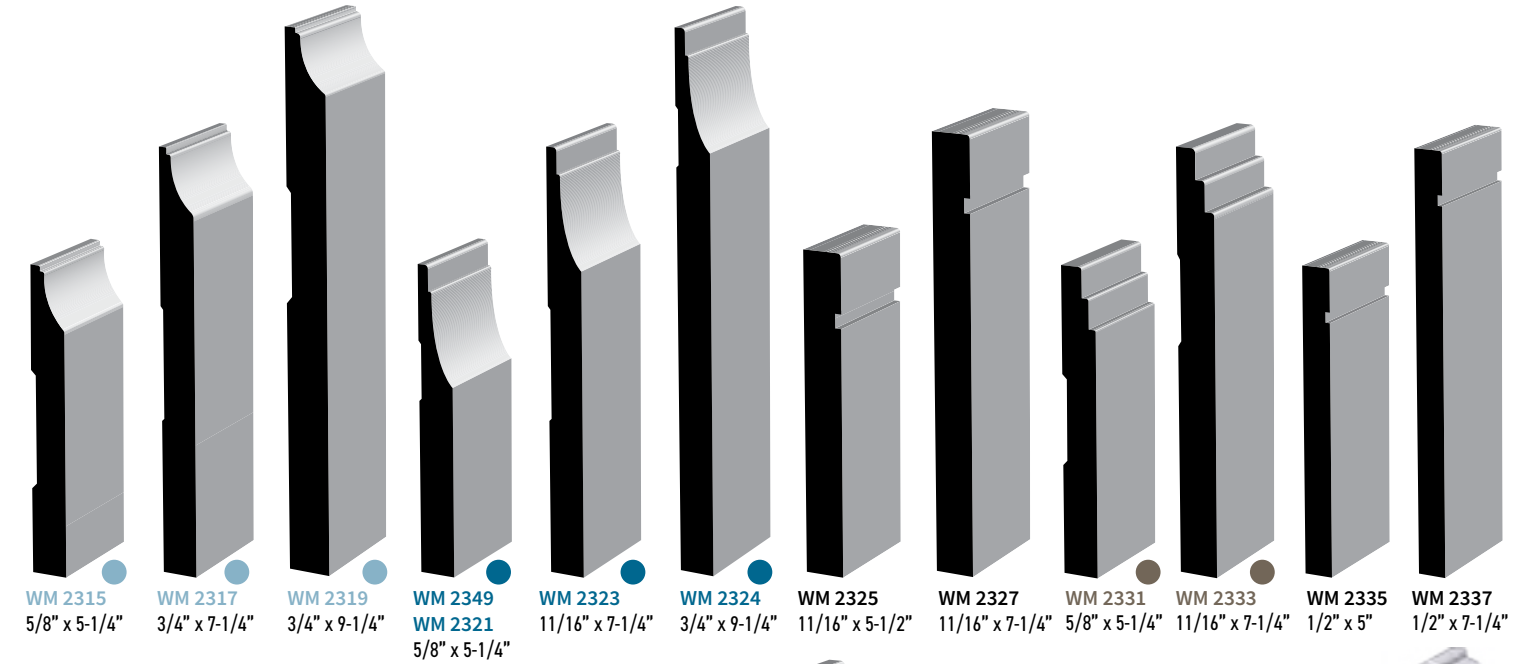
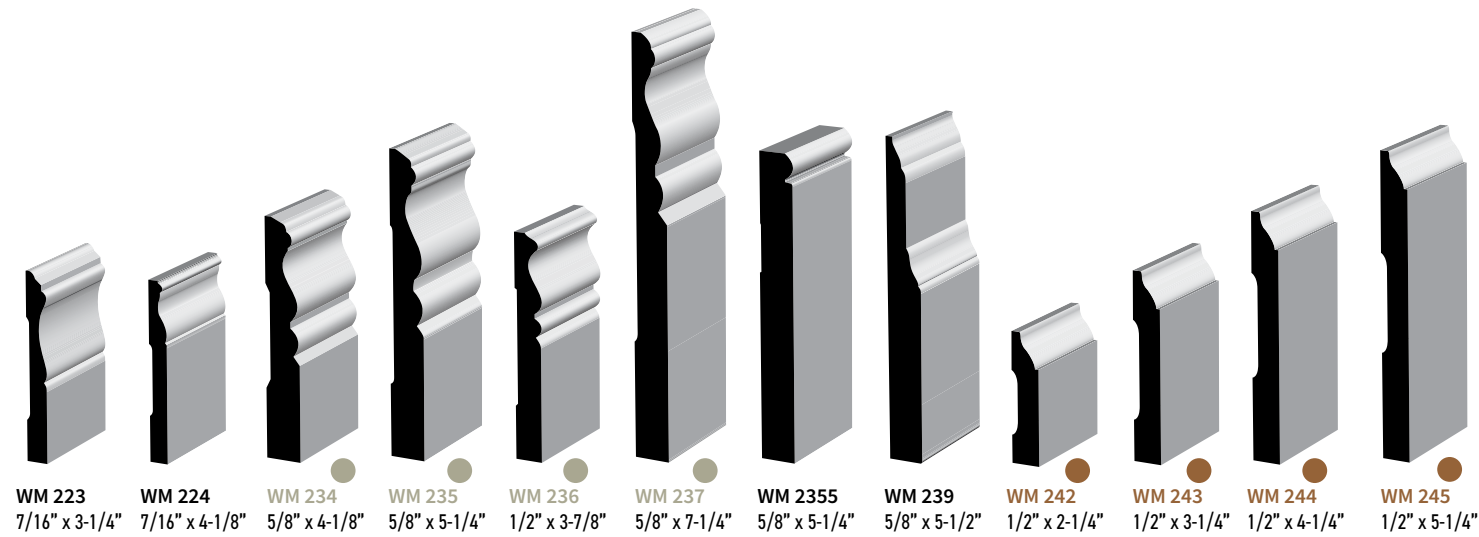


SCAN QR CODE TO VIEW THE WESTCOAST MOULDING COLLECTIONS ONLINE

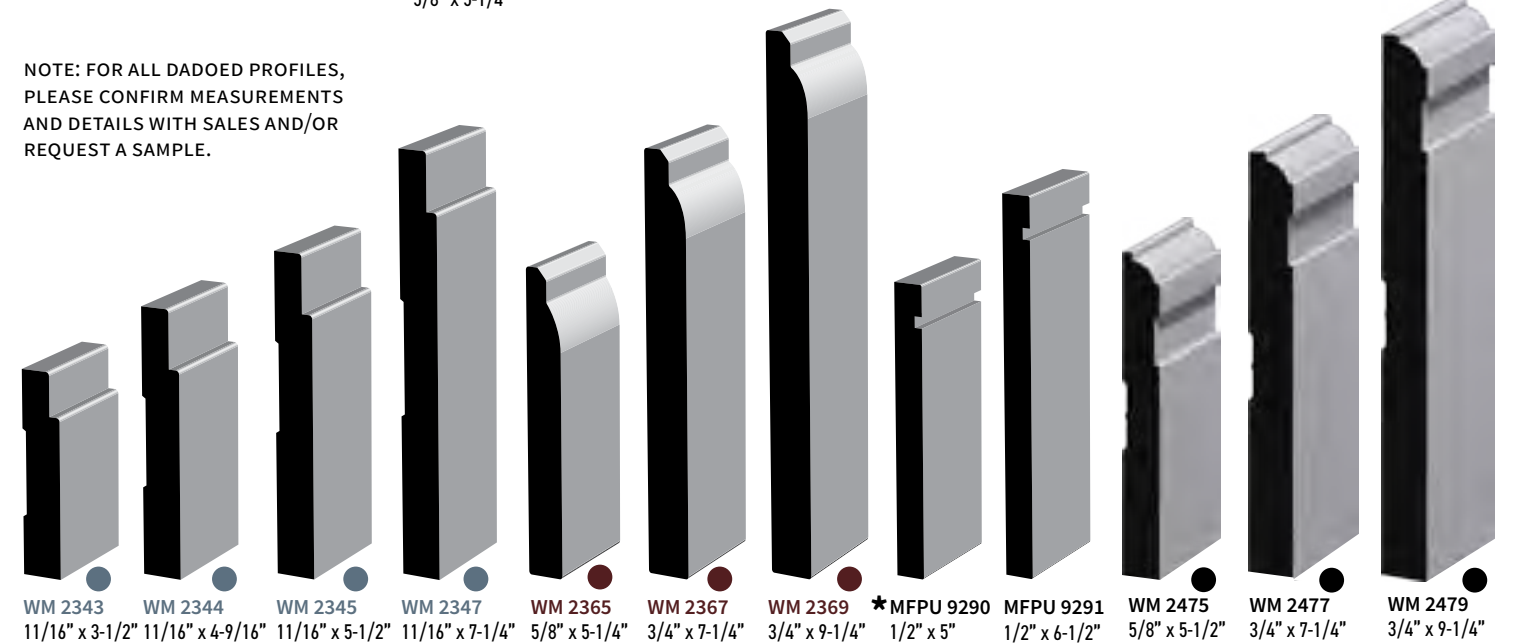
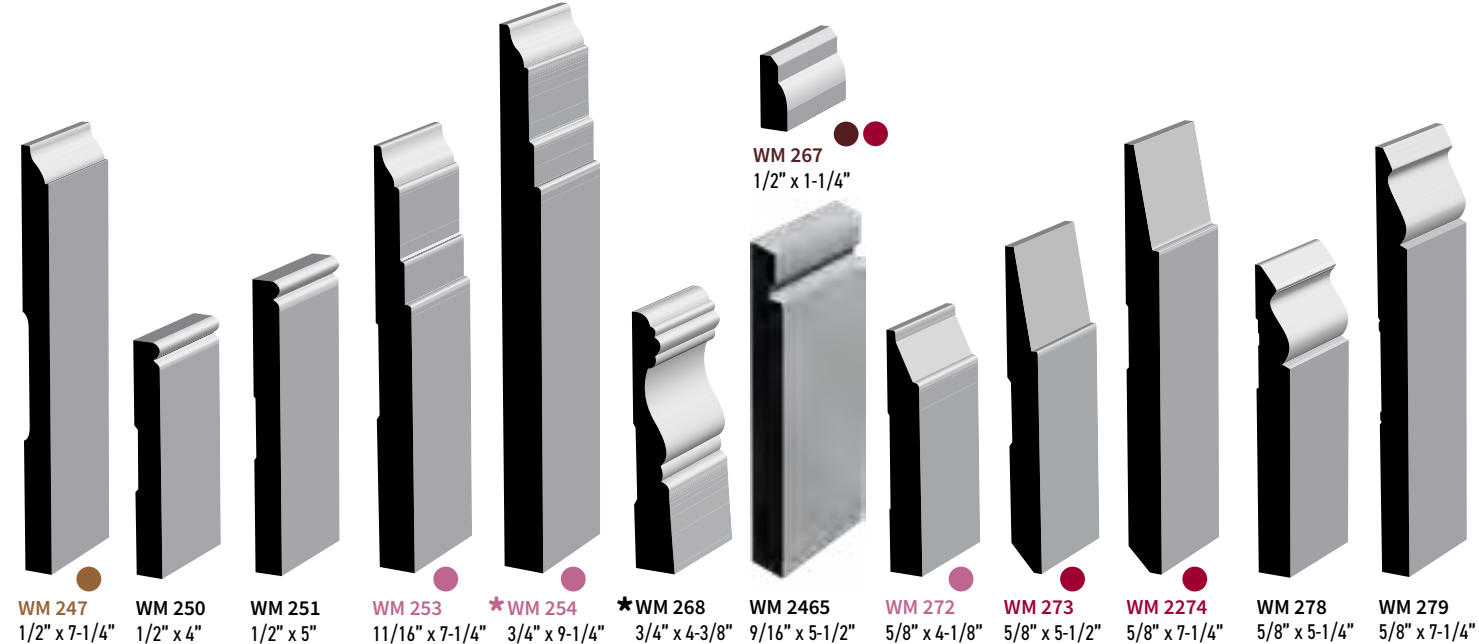
BASEBOARDS



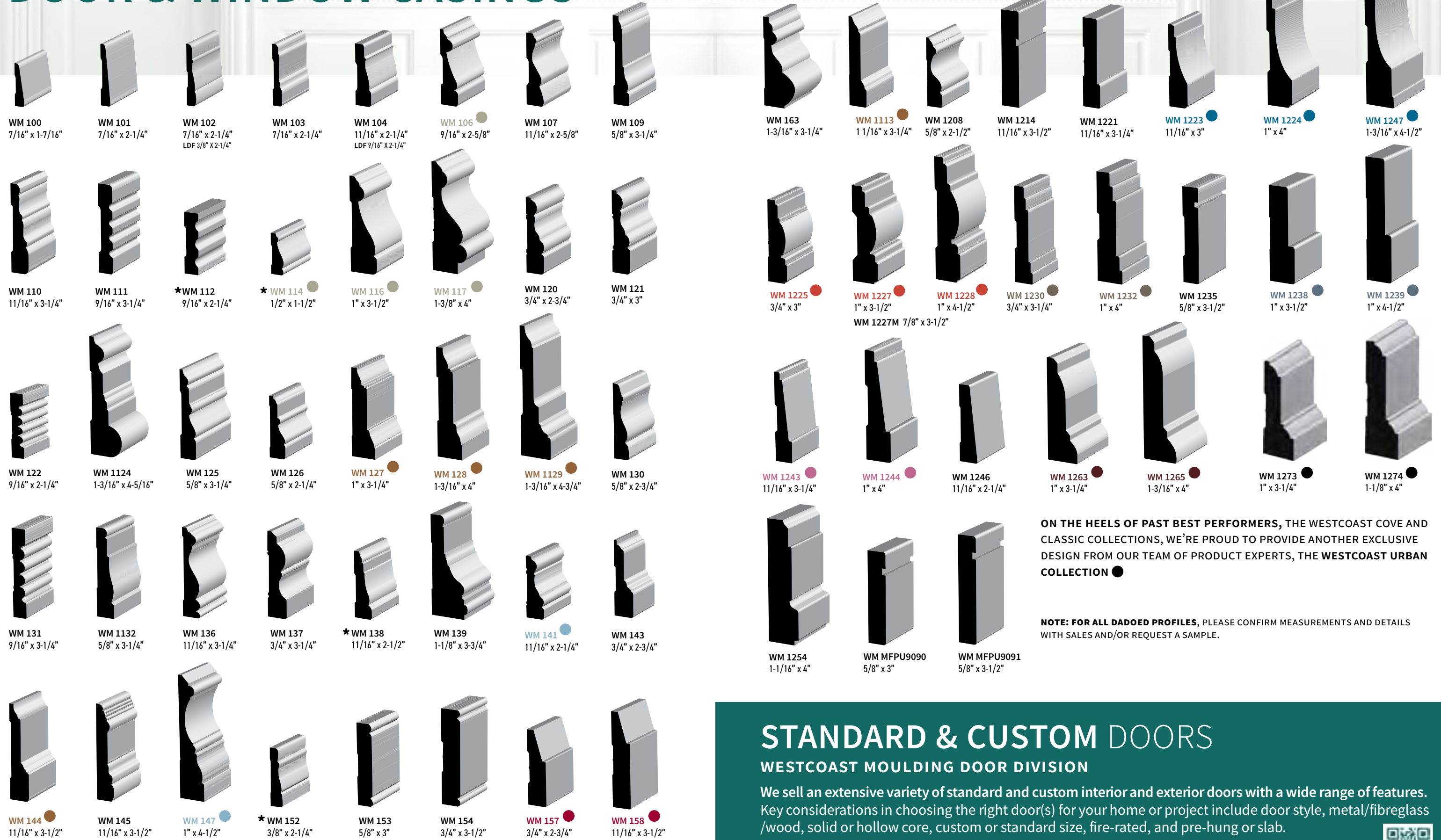
NOTE: REFER TO PAGES 19 AND 20 FOR MORE FLATSTOCK SIZES AND OPTIONS.



NOTE: FOR ALL DADOED PROFILES, PLEASE CONFIRM MEASUREMENTS AND DETAILS WITH SALES AND/OR REQUEST A SAMPLE.



DOOR & WINDOW CASINGS



WM 100 7/16" x 1-7/16" **WM 101** 7/16" x 2-1/4" **WM 102** 7/16" x 2-1/4" LDF 3/8" x 2-1/4" **WM 103** 7/16" x 2-1/4" **WM 104** 11/16" x 2-1/4" LDF 9/16" x 2-1/4" **WM 106** 9/16" x 2-5/8" **WM 107** 11/16" x 2-5/8" **WM 109** 5/8" x 3-1/4" **WM 163** 1-3/16" x 3-1/4" **WM 1113** 1 1/16" x 3-1/4" **WM 1208** 5/8" x 2-1/2" **WM 1214** 11/16" x 3-1/2" **WM 1221** 11/16" x 3-1/4" **WM 1223** 11/16" x 3" **WM 1224** 1" x 4" **WM 1247** 1-3/16" x 4-1/2"

WM 110 11/16" x 3-1/4" **WM 111** 9/16" x 3-1/4" ***WM 112** 9/16" x 2-1/4" ***WM 114** 1/2" x 1-1/2" **WM 116** 1" x 3-1/2" **WM 117** 1-3/8" x 4" **WM 120** 3/4" x 2-3/4" **WM 121** 3/4" x 3" **WM 1225** 3/4" x 3" **WM 1227** 1" x 3-1/2" **WM 1228** 1" x 4-1/2" **WM 1230** 3/4" x 3-1/4" **WM 1232** 1" x 4" **WM 1235** 5/8" x 3-1/2" **WM 1238** 1" x 3-1/2" **WM 1239** 1" x 4-1/2" **WM 1227M** 7/8" x 3-1/2"

WM 122 9/16" x 2-1/4" **WM 1124** 1-3/16" x 4-5/16" **WM 125** 5/8" x 3-1/4" **WM 126** 5/8" x 2-1/4" **WM 127** 1" x 3-1/4" **WM 128** 1-3/16" x 4" **WM 1129** 1-3/16" x 4-3/4" **WM 130** 5/8" x 2-3/4" **WM 1243** 11/16" x 3-1/4" **WM 1244** 1" x 4" **WM 1246** 11/16" x 2-1/4" **WM 1263** 1" x 3-1/4" **WM 1265** 1-3/16" x 4" **WM 1273** 1" x 3-1/4" **WM 1274** 1-1/8" x 4"

WM 131 9/16" x 3-1/4" **WM 1132** 5/8" x 3-1/4" **WM 136** 11/16" x 3-1/4" **WM 137** 3/4" x 3-1/4" ***WM 138** 11/16" x 2-1/2" **WM 139** 1-1/8" x 3-3/4" **WM 141** 11/16" x 2-1/4" **WM 143** 3/4" x 2-3/4" **WM 1254** 1-1/16" x 4" **WM MFPU9090** 5/8" x 3" **WM MFPU9091** 5/8" x 3-1/2"

WM 144 11/16" x 3-1/2" **WM 145** 11/16" x 3-1/2" **WM 147** 1" x 4-1/2" ***WM 152** 3/8" x 2-1/4" **WM 153** 5/8" x 3" **WM 154** 3/4" x 3-1/2" **WM 157** 3/4" x 2-3/4" **WM 158** 11/16" x 3-1/2"

ON THE HEELS OF PAST BEST PERFORMERS, THE WESTCOAST COVE AND CLASSIC COLLECTIONS, WE'RE PROUD TO PROVIDE ANOTHER EXCLUSIVE DESIGN FROM OUR TEAM OF PRODUCT EXPERTS, THE WESTCOAST URBAN COLLECTION

NOTE: FOR ALL DADOED PROFILES, PLEASE CONFIRM MEASUREMENTS AND DETAILS WITH SALES AND/OR REQUEST A SAMPLE.

STANDARD & CUSTOM DOORS

WESTCOAST MOULDING DOOR DIVISION

We sell an extensive variety of standard and custom interior and exterior doors with a wide range of features. Key considerations in choosing the right door(s) for your home or project include door style, metal/fibreglass /wood, solid or hollow core, custom or standard size, fire-rated, and pre-hung or slab.

Call **604.513.1138** to speak with a Product Expert to help you make the right choice or drop by our Showroom for more information.



CUSTOM-BUILT WESTCOAST SIGNATURE STAIRCASES

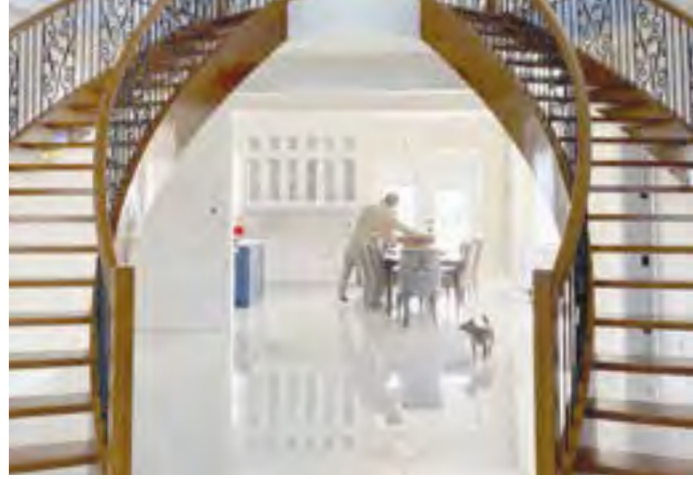
Design, Build, Delivery, & Installation.

At Westcoast, we manufacture premium custom wood staircases. Our skilled craftspeople have the knowledge and experience needed to design and build the perfect Westcoast Signature Staircase according to your design, building plan and specifications.

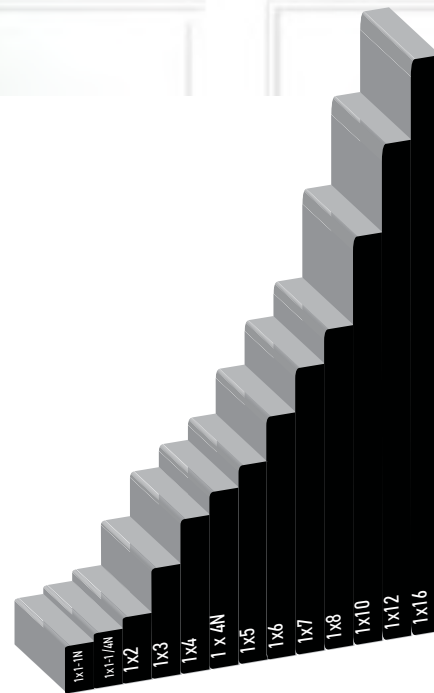
- Elaborate Curved Stairs
- Free Standing, Curved or Straight
- Open or Closed Riser
- Plywood, Paint or Stain-Grade options available.

Drop by Our Showroom and speak with a Staircase Product Expert at 18810 96th Ave., Surrey, BC

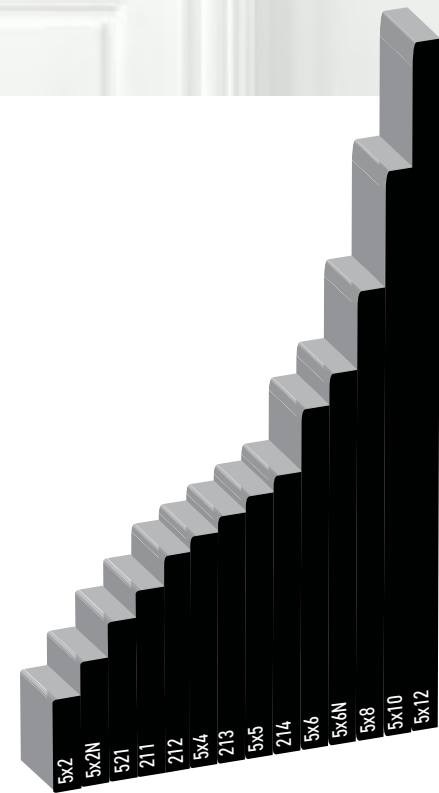
SCAN QR CODE TO VISIT CUSTOM STAIRCASES ONLINE



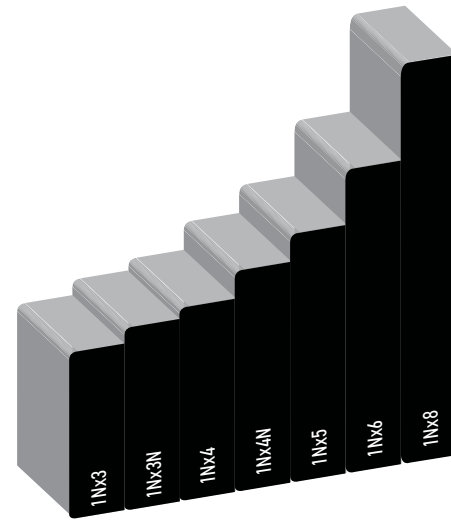
FLATSTOCK: PRIMED MDF



- WM1X1N 11/16" x 1"
- WM1X1-1/4N 11/16" x 1-1/4"N
- WM1X2 11/16" x 1-1/2"
- WM1X3 11/16" x 2-1/2"
- WM1X4 11/16" x 3-1/2"
- WM1X4N 11/16" x 4"N
- WM1X5 11/16" x 4-1/2"
- WM1X6 11/16" x 5-1/2"
- WM1X6N 11/16" x 6"N
- WM1X7 11/16" x 6-1/2"
- WM1X8 11/16" x 7-1/4"
- WM1X10 11/16" x 9-1/4"
- WM1X12 11/16" x 11-1/4"
- WM1X16 5/8" x 15-1/4"



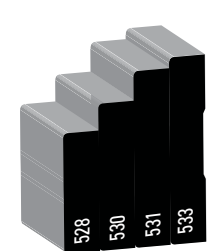
- WM5X2 1/2" x 1-1/2"
- WM5X2N 1/2" x 2"N
- WM521 1/2" x 2-1/2"
- WM211 1/2" x 3"
- WM212 1/2" x 3-1/4"
- WM5X4 1/2" x 3-1/2"
- WM213 1/2" x 4"
- WM5X5 1/2" x 4-1/2"
- WM214 1/2" x 5-1/4"
- WM5X6 1/2" x 5-1/2"
- WM5X6N 1/2" x 6"N
- WM5X8 1/2" x 7-1/4"
- WM5X10 1/2" x 9-1/4"
- WM5X12 1/2" x 11-1/4"
- WM5X16 1/2" x 15-1/4"



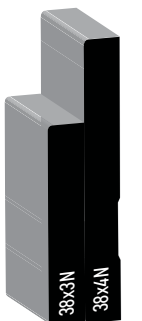
- WM1NX3 1" x 2-5/8"
- WM1NX3N 1" x 3"N
- WM1NX4 1" x 3-1/2"
- WM1NX4N 1" x 4"N
- WM1NX5 1" x 4-1/2"
- WM1NX6 1" x 5-1/2"
- WM1NX8 1" x 7-1/4"



- WM34X3 3/4" x 2-1/2"
- WM34X3N 3/4" x 3"N
- WM34X4 3/4" x 3-1/2"



- WM528 5/8" x 2"
- WM530 5/8" x 2-1/2"
- WM531 5/8" x 3"
- WM533 5/8" x 3-1/4"
- WM534 5/8" x 3-1/2"



- WM38X3N 3/8" x 3"N
- WM38X4N 3/8" x 4"N

HANDRAILS & STAIR PARTS

- Handrails & Fittings
- Newel Posts and Caps
- Wood and Metal Spindles
- Stair Treads
- Stair Ends and Wall Ends
- Stair Risers



Browse our large selection of handrails and stair parts in our Staircase & Fitting Guide and our extensive collection of stock and custom spindles in our Spindle Catalogue.



SCAN THE QR CODE TO VIEW OUR STAIRCASE & FITTING GUIDE

REFER TO PAGES 19 AND 21 FOR MORE INFORMATION OR SCAN QR CODE TO DOWNLOAD THE FLATSTOCK GUIDE



FLEXIBLE MOULDING

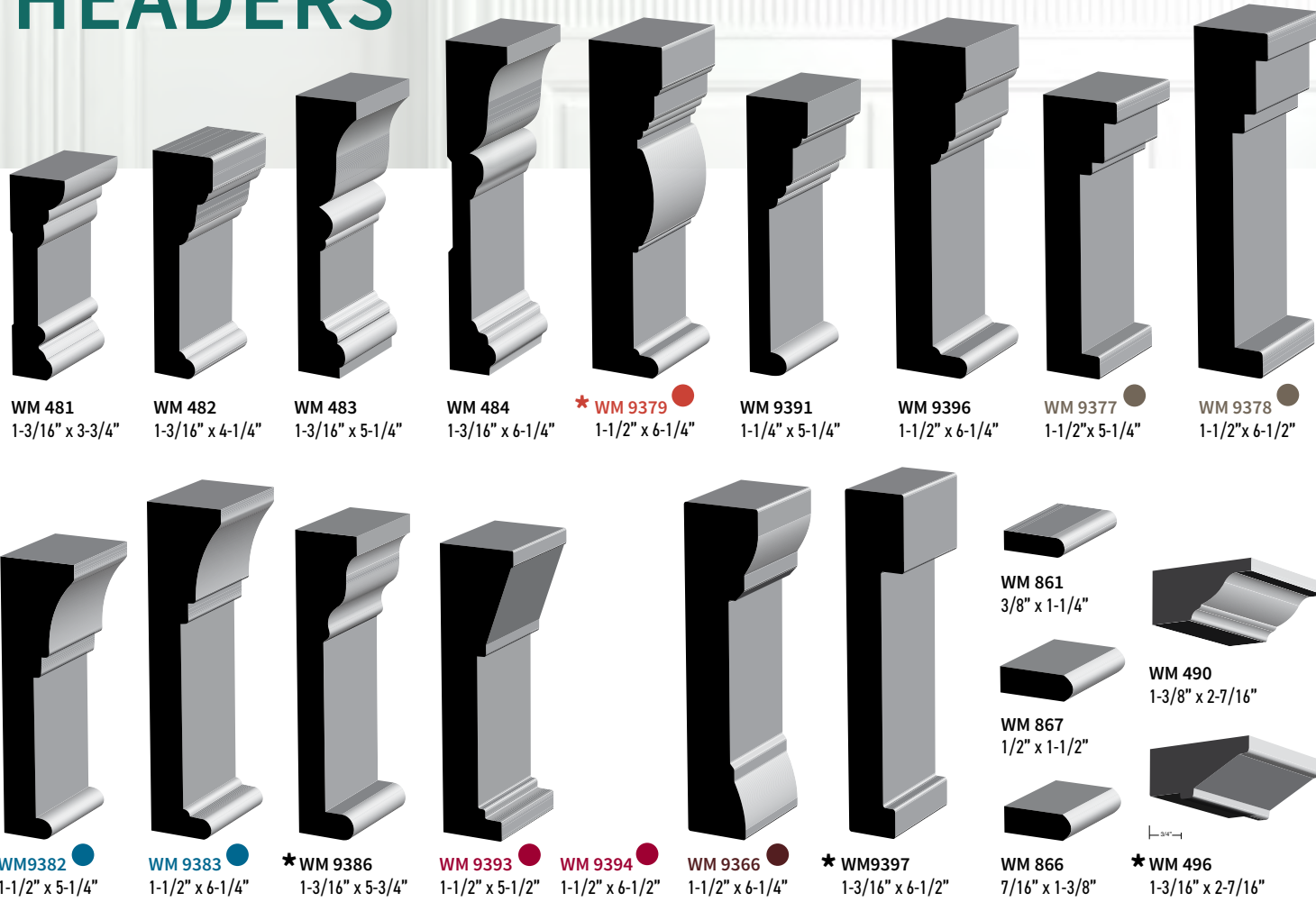
Are your moulding requirements throwing you a curve?

Every moulding in our Moulding Guide is available flexible (it's a polyester resin-based product). It can be installed with glue and pneumatic pin nailers. Great for interior or exterior applications.

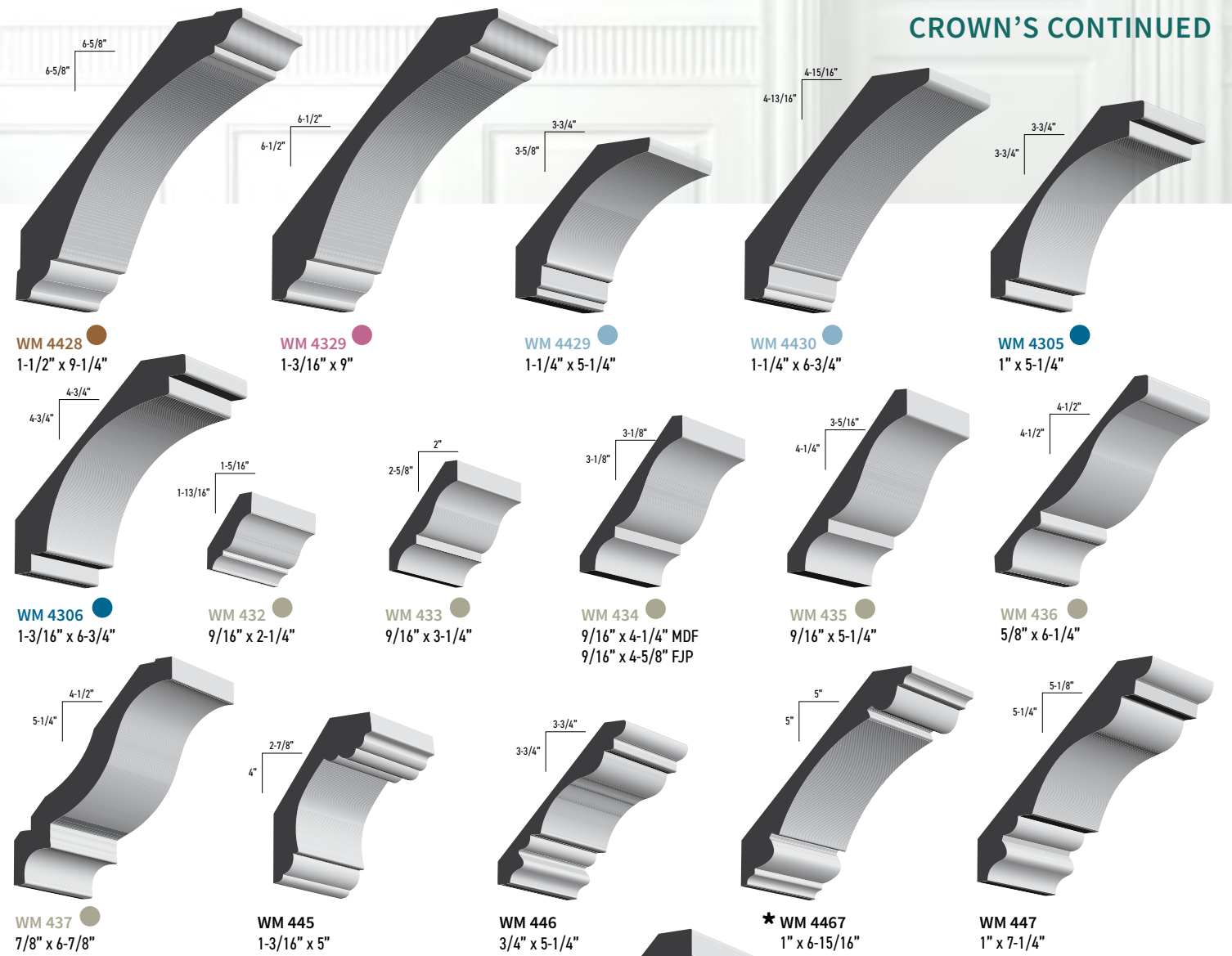


SCAN QR CODE TO DOWNLOAD A FLEXIBLE MOULDING ORDER FORM

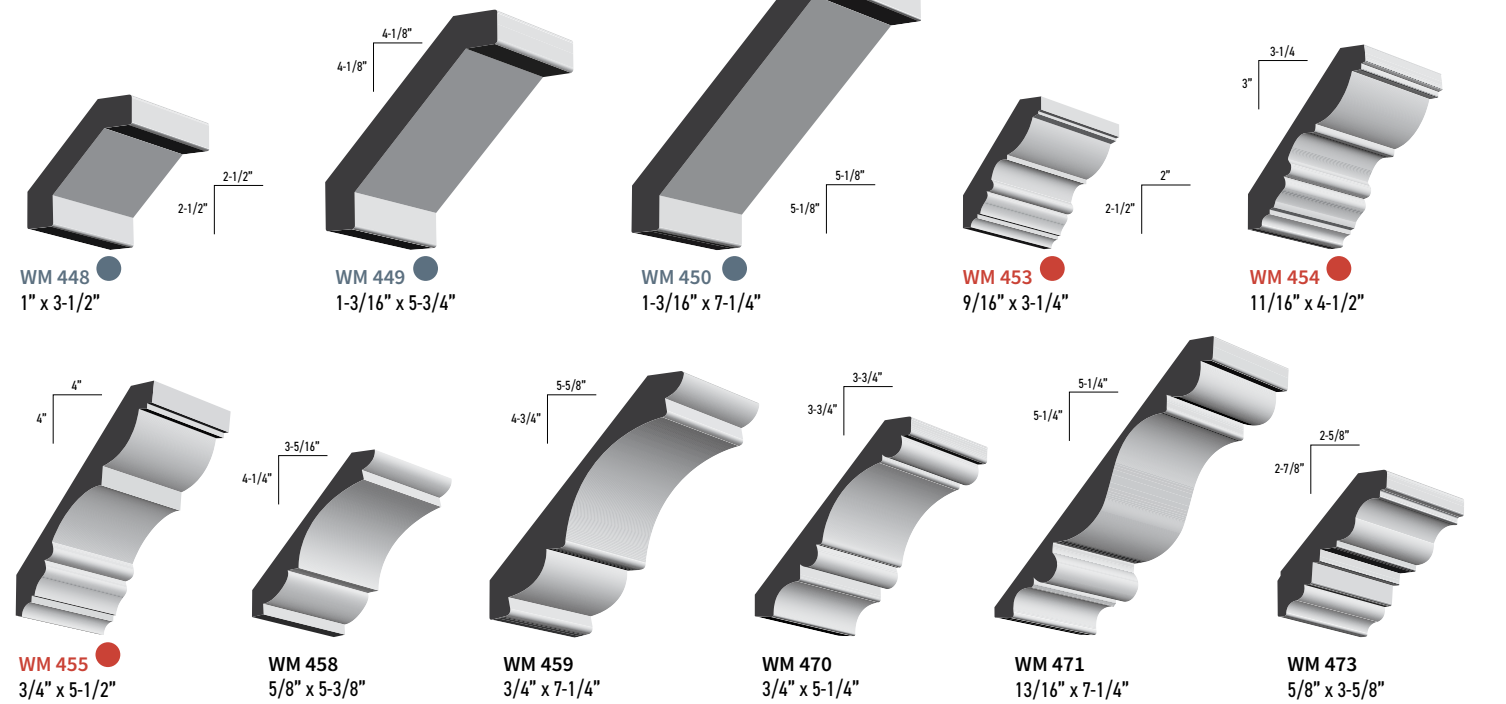
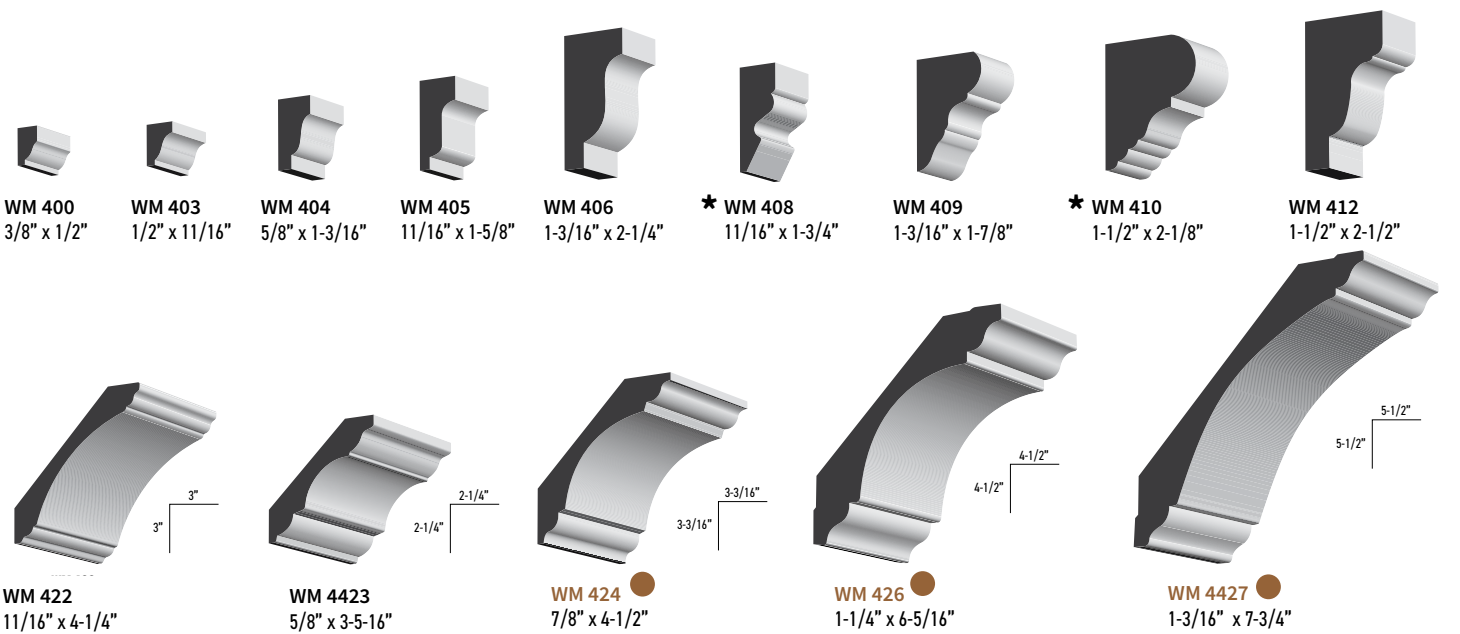
HEADERS



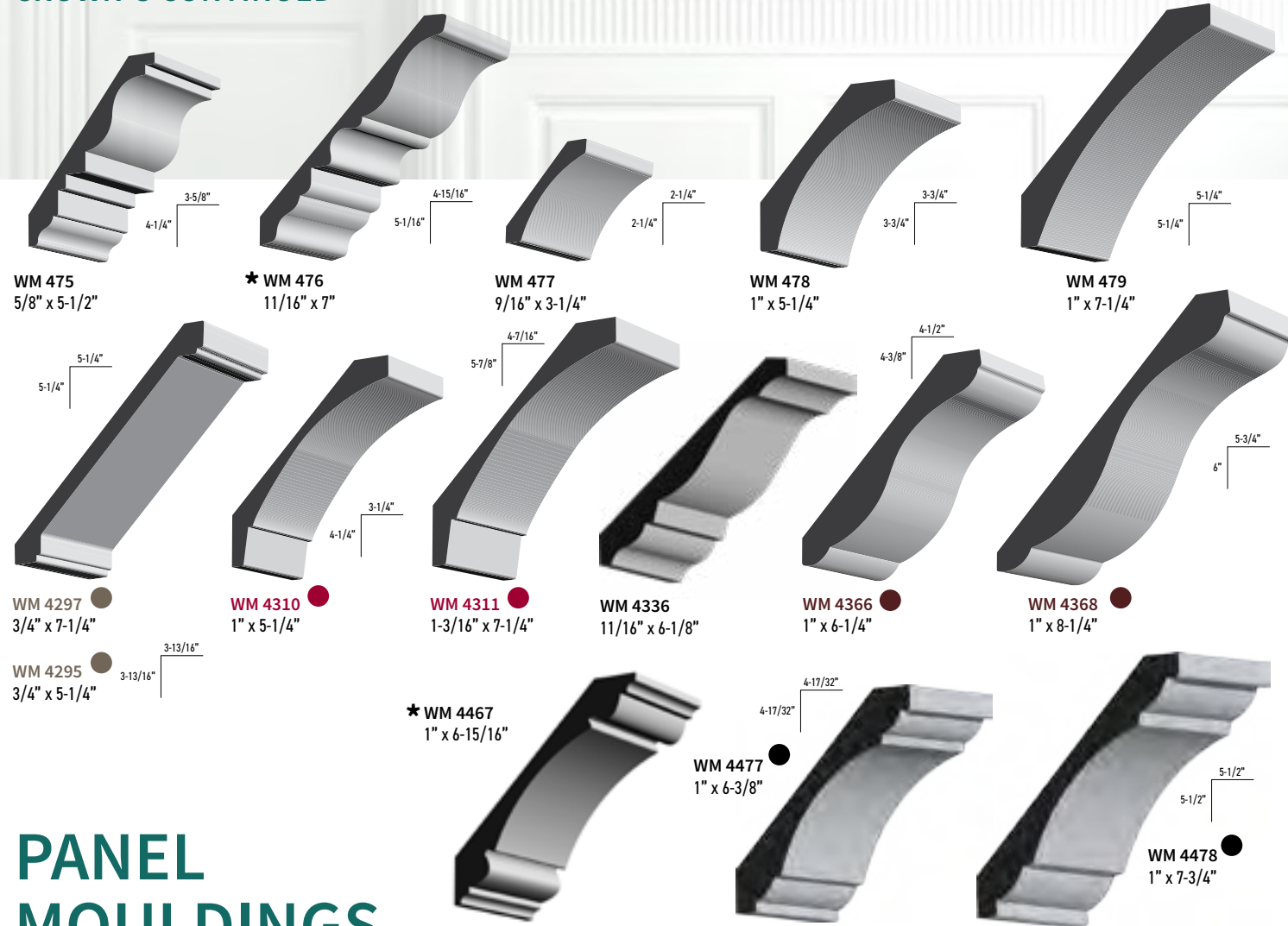
CROWN'S CONTINUED



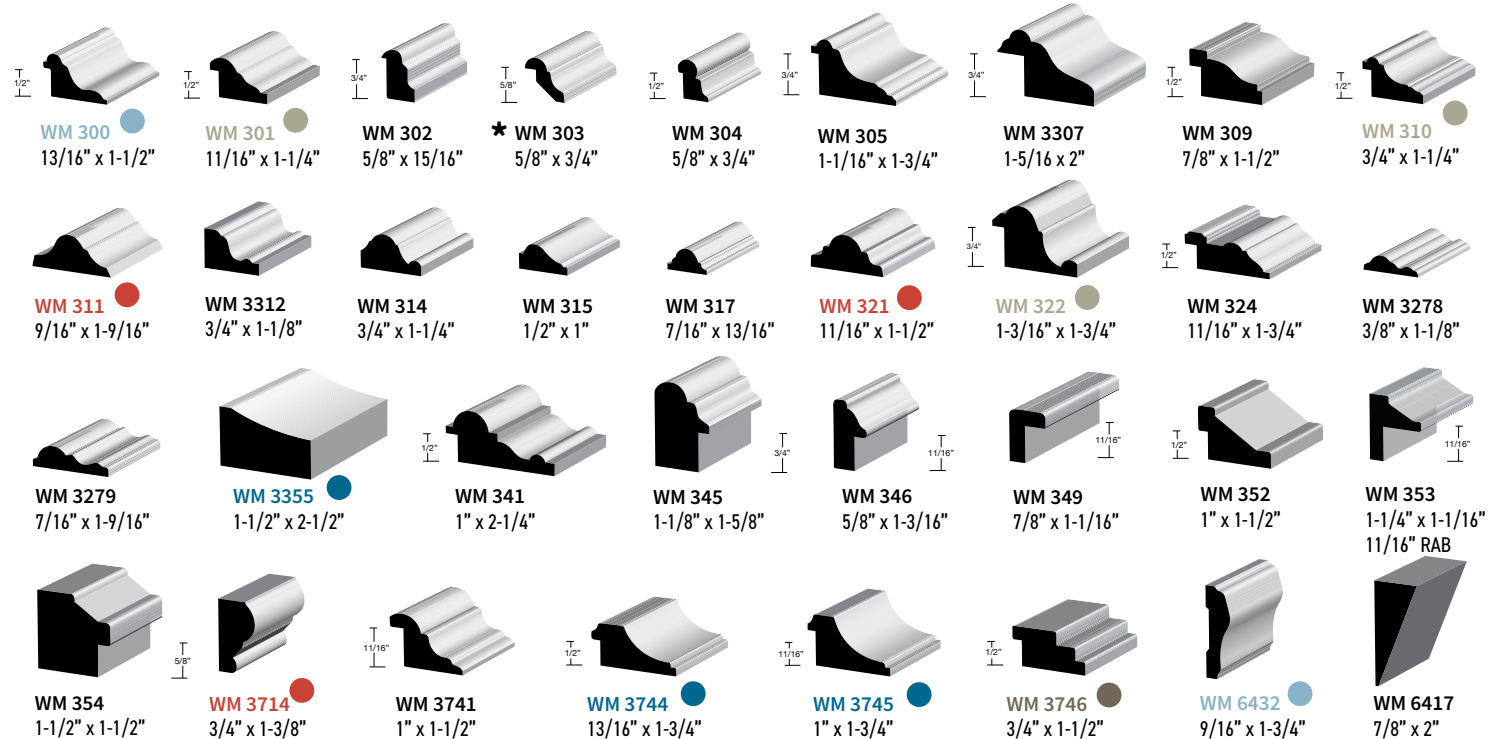
CROWN MOULDINGS



CROWN'S CONTINUED



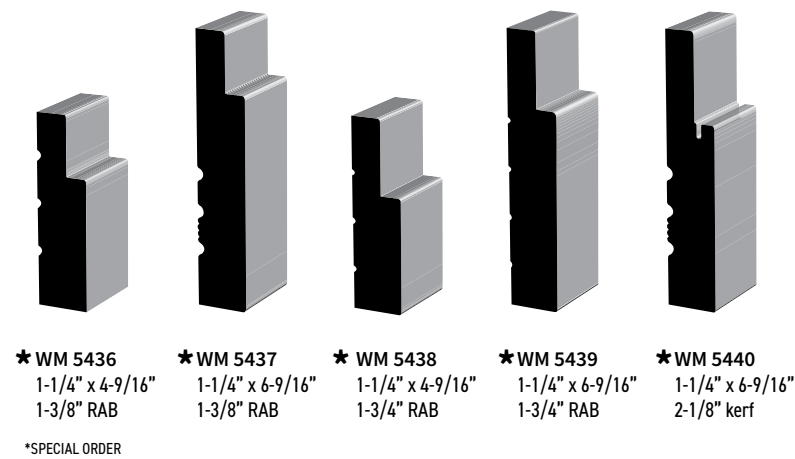
PANEL MOULDINGS



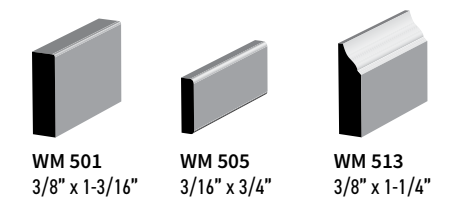
CHAIR RAILS



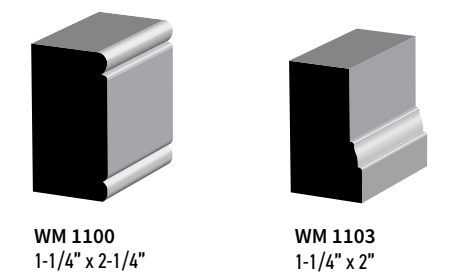
DOOR JAMBS



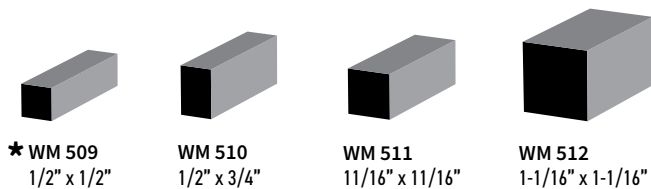
STOPS & SCREEN MOULDS



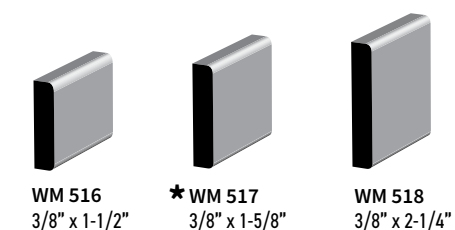
BRICK MOULDS



PARTING STRIPS



BURLAPS



STAIR NOSINGS

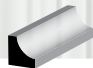




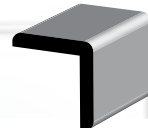
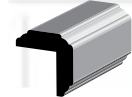


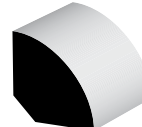

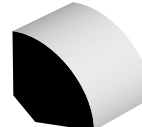

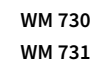

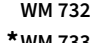
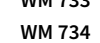

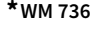










WM 1000 1-1/16" x 3-1/4" 2" RETURN

WM 1006 1-1/16" x 5-1/2" 4-3/16" RETURN






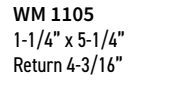
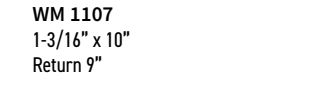




SCAN THE QR CODE TO VIEW OUR FLOOR MOULDINGS GUIDE





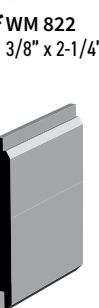


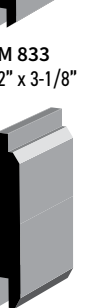


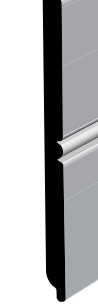
COVES, CORNERS & ROUNDS

 WM 700 1/2" x 1/2"	 WM 702 11/16" x 11/16"	 WM 704 1-1/4" x 1-1/4"	 WM 710 11/16" x 11/16" 1/2" COVERAGE	 WM 711 1-1/8" x 1-1/8" 3/4" COVERAGE	 WM 7714 1-1/2" x 1-1/2" 1-3/16" COVERAGE	 WM 716 1-1/16" x 1-1/16" 3/4" COVERAGE															
 WM 720 1/4"	 WM 721 1/2"	 WM 723 3/4"	 *WM 724 1"	 *WM 725 1-1/4"	 *WM 726 1-1/2"	 WM 730 1/4" x 1/2"	 WM 731 3/8" x 3/4"	 WM 732 1/2" x 1"	 *WM 733 5/8" x 1-1/4"	 WM 734 3/4" x 1-1/2"	 WM 735 1" x 2"	 *WM 736 1-1/4" x 2-1/2"	 *WM 741 1/2"	 *WM 743 11/16"	 WM 910100 1"	 WM 910101 1-5/16"	 WM 910102 1-1/2"	 WM 910103 1-3/4"	 WM 910104 2"	 *WM 910105 2-1/4"	 *WM 910106 2-1/2"

WINDOW SILLS

 WM 1105 1-1/4" x 5-1/4" Return 4-3/16"	 WM 1107 1-3/16" x 10" Return 9"	 WM 1109 1-3/4" x 7-1/2" Return 6-1/4"	 WM 1117 1-3/16" x 7-1/4" Return 6-3/16"	 WM 101124 1-1/2" x 7-1/2" Return 6-3/16"
 WM 1106 1-1/4" x 7-1/4" Return 6-1/8"	 WM 1112 1-1/4" x 13-1/8" Return 11-7/8"	 WM 1120 1-1/2" x 7-1/2" Return 6-1/4" 1/5	 WM 101125 1-1/2" x 9-1/4" Return 8"	

V-JOINT · BEADED PANELLING SHIPLAP SIDING · GAP PANELLING

 WM 815 5/8" x 5-7/16"	 WM 817 5/8" x 7-1/4"	 WM 825 1/2" x 5-5/16"	 WM 827 1/2" x 7-5/16"	 *WM 822 3/8" x 2-1/4"	 *WM 832 3/8" x 2-1/4"	 WM 833 1/2" x 3-1/8"	 WM 843 11/16" x 3-1/4"	 WM 845 3/4" x 5-1/2" WM 8847 11/16" x 7-1/4"	 WM 853 3/8" x 3-1/4" V JOINT BACK	 WM 8222 3/8" x 5-3/4"
--	--	---	---	---	---	--	---	--	--	---

POLYURETHANES



**LOOK UP!
WHAT'S
ON YOUR
CEILING?**

**BOGO 50% OFF ALL IN-STOCK
CEILING MEDALLIONS**

WESTCOAST MOULDING & MILLWORK LIMITED



LPKM40
40" No Hole

LPKM57
47" No Hole



50% OFF

WHILE SUPPLIES LAST. EXcludes 4" MEDALLION

CLEARANCE PRICES ON ALL ARCHITECTURAL DECORATIVE ELEMENTS

DROP BY OUR SHOWROOM TO SEE OUR VAST COLLECTION OF IN-STOCK CEILING MEDALLIONS AND POLYURETHANE DECORATIVE ELEMENTS INCLUDING CROWNS, CORBELS & BRACKETS.

CROWN MOULDING: LPKA28, LPKA52, LPKA57, LPKA65, LPKA62
 MEDALLIONS: LPKM13, LPKM18, LPKM19, LPKM24, LPKM44, LPKM59, HRM6008, HRM6009, HRM6036, HRM6037
 CORBELS & BRACKETS: LPH132, LPK139, LPK160, LPK163, LPK168, LPK169, LPK170, LPK171, LPK172,



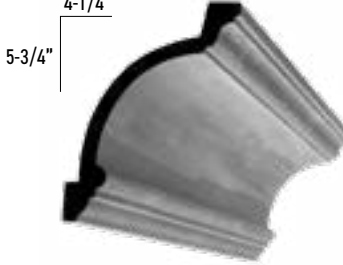
54HWB124
Wall Bracket 12" x 4" x 4"



54HWB164
Wall Bracket 16" x 4" x 4"



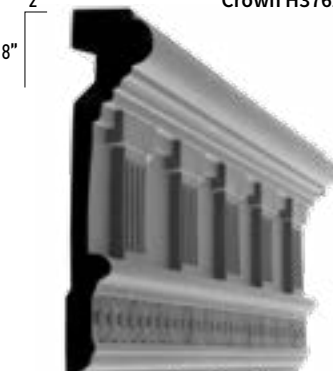
HRC 9007 Plant Stand 35"



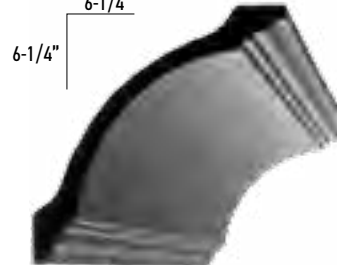
4-1/4"
5-3/4"
Crown H3762



3"
7"
Header H3070



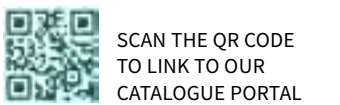
2"
8"
Frieze H6820



6-1/4"
6-1/4"
Crown H6262



See our large selection of polyurethane products in our Architectural Decorative Elements Catalogue, in store or on our website.



ADD TEXTURE AND DEFINE YOUR SPACE WITH WESTCOAST WALL PANELLING SOLUTIONS

MODERN, SMOOTH, AND CURVY TEXTURES FROM WESTCOAST MOULDING & MILLWORK LIMITED

TAKE A LOOK AT THE NEWEST PROFILES IN OUR SURFACES COLLECTION!

Slatwall and Reeded panelling are the latest trends in wall applications.

Create a three-dimensional effect that is both elegant and modern with slatwall panelling or create a soft textured effect that is vintage inspired with our reeded panelling.

All our profiles are made from TSCA Title VI and CANFER Compliant MDF and most come pre-primed.

Simply install and paint!

- Define a Space
- Add Interest to a Nook
- Feature Walls
- Apply to Furnishings
- And so much More!

SLATWALL PANELING

WM8858-8 NEW
PRIMED MDF
1/2" x 5-3/8" x 8'
6 pcs/pack

WM8855-8 NEW
PRIMED MDF
1/2" x 5-5/16" x 8'
6 pcs/pack

*Save time!
Use the nail line!*

- Features:**
- Patented nail line and elongated tongue conceals nail heads for quicker installation
 - Special joint allows locking between two pieces - no glue needed!
 - Use on feature walls and furnishings

REEDED PANELING

WM8852-8 NEW
PRIMED MDF
1/2" x 5-5/16" x 8'
8 pcs/pack

Features:

- Seamlessly connects with lap joint
- Add to define a space or to create a feature wall
- Apply to furnishings
- So many uses

PRIMED MDF FLAT STOCK

CODE	SIZE	CODE	SIZE	CODE	SIZE
38X3N	3/8"x3"N	528	5/8"x2"N	721NX250N	1"Nx2-1/2"N
38X4N	3/8"x4"N	530	5/8"x2-1/2"	1NX3	1"Nx2-5/8"
5X2	1/2"x1-1/2"	531	5/8"x3"N	1NX4	1"Nx3-1/2"
519	1/2"x2"N	533	5/8"x3-1/4"	1NX4N	1"Nx4"N
521	1/2"x2-1/2"	S/O	5/8"x3-1/2"	1NX5	1"Nx4-1/2"
211	1/2"x3"N	1X1-1/4N	11/16"x1-1/4"N	S/O	1"Nx5"N
212	1/2"x3-1/4"	1X2	11/16"x1-1/2"	1NX6	1"Nx5-1/2"
5X4	1/2"x3-1/2"	1X3	11/16"x2-1/2"	S/O	1"Nx6"N
213	1/2"x4"N	1X4	11/16"x3-1/2"	1NX8	1"Nx7-1/4"
5X5	1/2"x4-1/2"	1X4N	11/16"x4"N		
214	1/2"x5-1/4"	1X5	11/16"x4-1/2"		
5X6	1/2"x5-1/2"	1X6	11/16"x5-1/2"		
5X6N	1/2"x6"N	1X6N	11/16"x6"N		
5X8	1/2"x7-1/4"	1X7	11/16"x6-1/2"		
5X10	1/2"x9-1/4"	1X8	11/16"x7-1/4"		
5X12	1/2"x11-1/4"	1X10	21/32"x9-1/4"		
5X16	1/2"x15-1/4"	1X12	21/32"x11-1/4"		
		1X16	5/8"x15-1/4"		

S/O: SPECIAL ORDER.

PRIMED FINGER JOINTED PINE

WINDOW SILL WITH INTEGRAL NOSE

CODE	SIZE	CODE	SIZE	CODE	SIZE	COVERAGE
501	3/8"x1-3/16"	1X1N	11/16"x1"N	1105	1-1/4"x5-1/4"	4-1/8"
505	3/16"x3/4"	1X2N	11/16"x2"N	1106	1-1/4"x7-1/4"	6-1/8"
510	1/2"x3/4"	1X2	11/16"x1-3/8"	1107	1-1/4"x10"	9"
511	11/16"x11/16"	1X3	11/16"x2-1/2"	1112	1-1/4"x13"	12"
516	3/8"x1-1/2"	1X4	11/16"x3-1/2"	1109	1-3/4"x7-1/2"	6-1/4"
518	3/8"x2-1/4"	1X5	11/16"x4-1/2"	1117	1-3/16"x7-1/4"	6-1/4"
212	3/8"x3-1/4"	1X6	11/16"x5-1/2"	1120	1-1/2"x7-1/2"	6-1/4"
5X4	1/2"x3-1/2"	1X7	11/16"x6-1/2"	101124	1-1/2"x7-1/2"	6-1/4"
213	7/16"x4"	1X8	11/16"x7-1/4"	101125	1-1/2"x9-1/4"	8-1/4"
5X5	1/2"x4-1/2"	1X10	5/8"x9-1/4"			
214	1/2"x5-1/4"	1X12	5/8"x11-1/4"			
5X6	1/2"x5-1/2"	1NX4	1"Nx3-1/2"			
5X8	9/16"x7-1/4"	1NX6	1"Nx5-1/2"			

STAIN-GRADE FLATSTOCK S4S

CODE	SIZE	CODE	SIZE	WOOD SPECIES
1X2	3/4"x1-1/2"	1X7	3/4"x6-1/2" 3/4	Poplar, Western Red Cedar, Maple, Red Oak, White Oak (Rift & Flat cut), Fir (Vertical Grain & Flat cut, 11/16"), Black Walnut, Clear Pine (11/16"), and Alder.
1X3	3/4"x2-1/2"	1X8	3/4"x7-1/4"	
1X4	3/4"x3-1/2"	1X10	3/4"x9-1/4"	
1X5	3/4"x4-1/2"	1X12	3/4"x11-1/4"	
1X6	3/4"x5-1/2"			

ALL ITEMS/SPECIES SUBJECT TO AVAILABILITY

DIMENSIONS LISTED ARE CLOSE REPRESENTATIONS OF THE PROFILE SHOWN. Please confirm actual size and availability. *Denotes Special or Custom Order. FOR MORE INFORMATION email Info@westcoastmoulding.com | FOR SALES email Sales@westcoastmoulding.com or Request a Quote through Our Website.

MDF STOCKING SHEET GUIDE

ECO-PLUS / WATER RESISTANT
SUBJECT TO AVAILABILITY

DURABOARD® STRIPS AND SHEETS

CODE SIZE

18180	1/8"x4'x8'
18140	1/4"x4'x8'
18145X10	1/4"x5'x10'
18380	3/8"x4'x8'
18120	1/2"x4'x8'
18125X10	1/2"x5'x10'
18124X16	1/2"x4'x16'
18580	5/8"x4'x8'
18585X10	5/8"x5'x10'
18584X16	5/8"x4'x16'
18340	3/4"x4'x8'
18345X10	3/4"x5'x10'
18344X16	3/4"x4'x16'
18100	1"x4'x8'
181005X10	1"x5'x10'
181004X16	1"x4'x16'
18125	1-1/4"x4'x8'
181254X16	1-1/4"x4'x16'
18150	1-1/2"x4'x8'
181504x16	1-1/2"x4'x16'

CODE SIZE

18WP120	1/2"x4'X8'
18WP580	5/8"x4'X8'
18WP340	3/4"x4'X8'
18WP100 S/O	1"X4'x8'
18WP125 S/O	1-1/4"x4'X8'

ULTRALITE MDF SHEETS

18UL120	1/2"x4'X8'
18UL580	5/8"x4'X8'
18UL340	3/4"x4'X8'
18UL100 S/O	1"X4'X8'

ARMORITE EXTERIOR GRADE MDF SHEETS

18ARM120	1/2"x4'X8'
18ARM340	3/4"x4'X8'

STRIPS

CODE	SIZE
69SED530	5/8" x 2-1/2"
69SED531	5/8" x 3" NET
69SED1X4	5/8" x 3-1/2"
69SED1X5	5/8" x 4-1/2"
69SED1X6	5/8" x 5-1/2"
69SED1X8	5/8" x 7-1/4"
69SED5X4	1/2" x 3-1/2"
69SED213	1/2" x 4" NET
69SED5X5	1/2" x 4-1/2"
69SED5X6	1/2" x 5-1/2"
69SED34X6	3/4" x 5-1/2"
69SED34X8	3/4" x 7-1/4"
69SED34X10	3/4" x 9-1/4"
69SED34X12	3/4" x 11-1/4"

SHEETS

CODE	THICKNESS
69384X18	3/8" (10mm)
69124X18	1/2" (13mm)
69344X18	3/4" (19mm)
691004X18	1" (25.4mm)

DURABOARD® SED – PVC SQUARE EDGE S4S

SEALED EDGE DURABOARD® OR SED STRIPS ARE AN EXTRUDED CELLULAR PVC MATERIAL FACTORY SEALED WITH A SMOOTH FINISH ON ALL FOUR EDGES, DESIGNED TO BE AN EXCELLENT EXTERIOR CONSTRUCTION MATERIAL. IT LOOKS, FEELS, AND WORKS LIKE WOOD BUT LASTS MUCH LONGER.

Virtually no maintenance DuraBoard® is a far more economical and superior alternative to traditional building products and wood.

As well as exterior use, DuraBoard® SED is perfect for interior applications where moisture is a concern—bathrooms, laundry rooms, mud rooms, and basements.

LENGTHS

Strips available in 8' and *16' lengths.

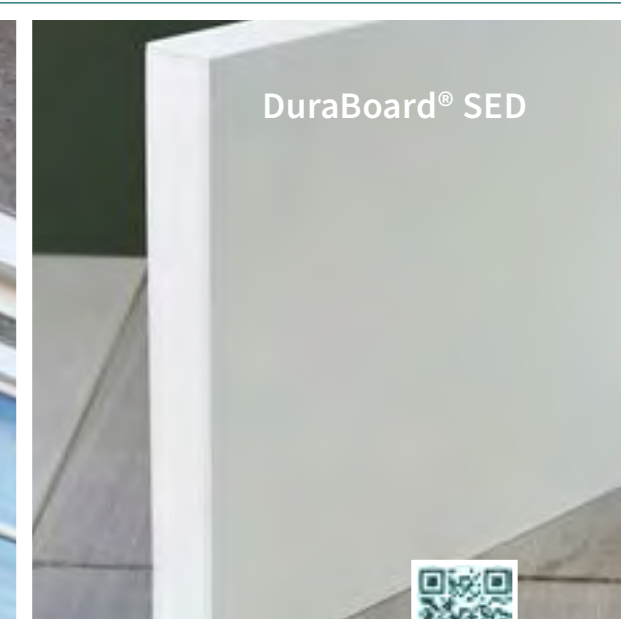
FEATURES & BENEFITS

- Made of pure PVC—rot, splinter, crack, and split free.
- Work with all the tools you use for wood.
- Fire retardant. Insect proof.
- Light weight; feels & looks like wood.
- Chemical resistant.
- No water absorption or swelling.
- Virtually maintenance free.



SCAN QR CODE TO VIEW/DOWNLOAD THE FLATSTOCK GUIDE

NOTE: SOLD IN FULL OR PARTIAL SHEETS. CUSTOM CUTTING SERVICE AVAILABLE WITH APPROPRIATE LEAD TIME, PLEASE CALL OUR SALES OFFICE FOR MORE INFORMATION.



SCAN QR CODE TO DOWNLOAD A COPY OF THE DURABOARD GUIDE



DIMENSIONS LISTED ARE CLOSE REPRESENTATIONS OF THE PROFILE SHOWN. Please confirm actual size and availability. *Denotes Special or Custom Order. FOR MORE INFORMATION email info@westcoastmoulding.com | FOR SALES email sales@westcoastmoulding.com or Request a Quote through Our Website.

2024 EDITION

WESTCOAST MOULDING & MILLWORK LIMITED



ARE YOU AN ACREDITED DESIGN PROFESSIONAL?
YOU CAN REQUEST SCALABLE PDFs OR CAD FILES (DXF) TO USE IN YOUR
DESIGN PRESENTATIONS. SCAN THE QR CODE TO SUBMIT A REQUEST FORM.

QUALITY PRODUCTS • PREMIUM SERVICE • EXPERT SOLUTIONS

WESTCOAST MOULDING & MILLWORK LIMITED | 18810 96th AVENUE, SURREY, BRITISH COLUMBIA, CANADA V4N 3R1 | T 604.513.1138 (OFFICE/SALES)

FOR MORE INFORMATION email Info@westcoastmoulding.com | FOR SALES email Sales@westcoastmoulding.com or SCAN QR CODE to VISIT OUR WEBSITE